



 *Summerset*<sup>®</sup>  
PROFESSIONAL GRILLS

# ABOUT SUMMERSET

Summerset Professional Grills offers a complete line of stainless steel grills, grill carts, BBQ islands, fire pits, doors, drawers, components and more. Our commitment to quality is reflected in the craftsmanship of our product and is fully supported by the Summerset Warranty.

## OVER 20 YEARS OF LEADERSHIP

Summerset Professional Grills is a company born of experience. With 20 years of leadership in branding and manufacturing, our core focus is clear — to provide consumers with exceptional service and outstanding quality at a great value.

## PRODUCTS FOR EVERY BUDGET

Summerset strives to meet every outdoor living expression. We offer a wide range of affordable products from our Sizzler Series all the way up to our new AMG Multi Fuel Grill, without sacrificing an ounce of quality. No matter the budget Summerset will deliver an outdoor experience that will create fond memories for years to come.

## SUPERIOR QUALITY

Here at Summerset we pride ourselves on using only the best materials. All our products are made with the highest—grade stainless steel available, designed to withstand the high temperatures and greasy environments of outdoor cooking. We strive to maintain excellence in all we do and the result is a product you can count on.





GRILLS





# SIZZLER

Quality you can afford. The Sizzler Series is a premium product at an unbeatable price. Constructed in all #443 stainless steel and designed with careful precision to ensure optimal airflow and even heating, this grill gives its higher-priced competitors a run for their money in both durability and grilling performance. The Sizzler will impress the most discriminating of grillers.



SIZZLER 26" GRILL



SIZZLER 32" GRILL

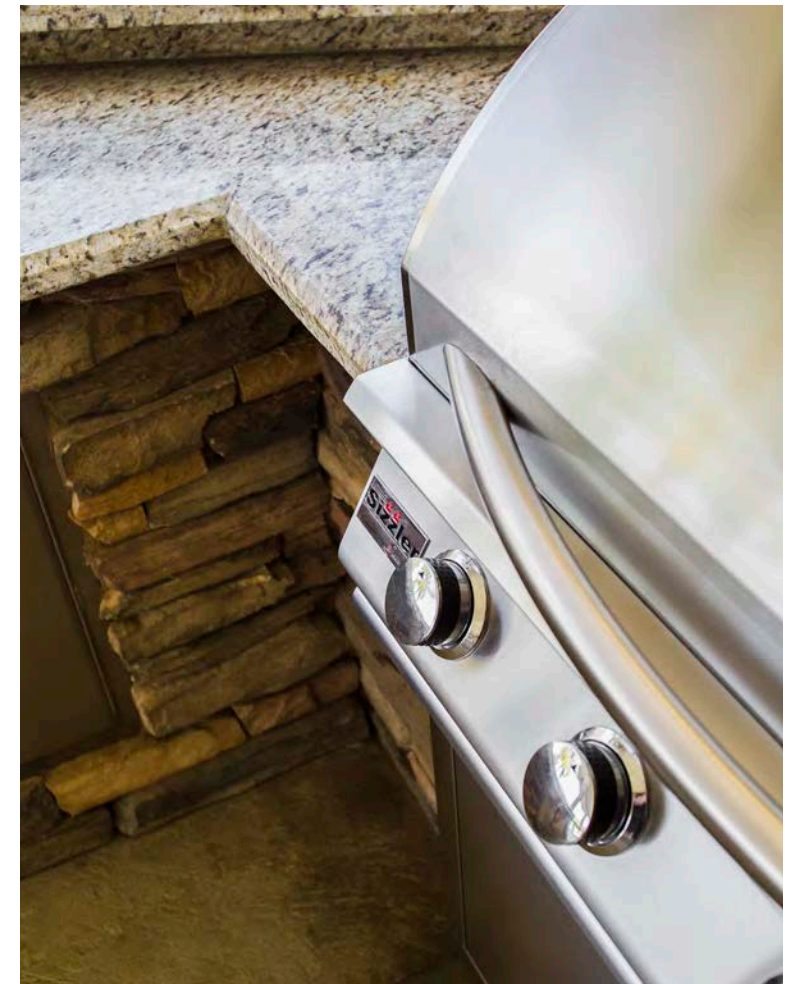
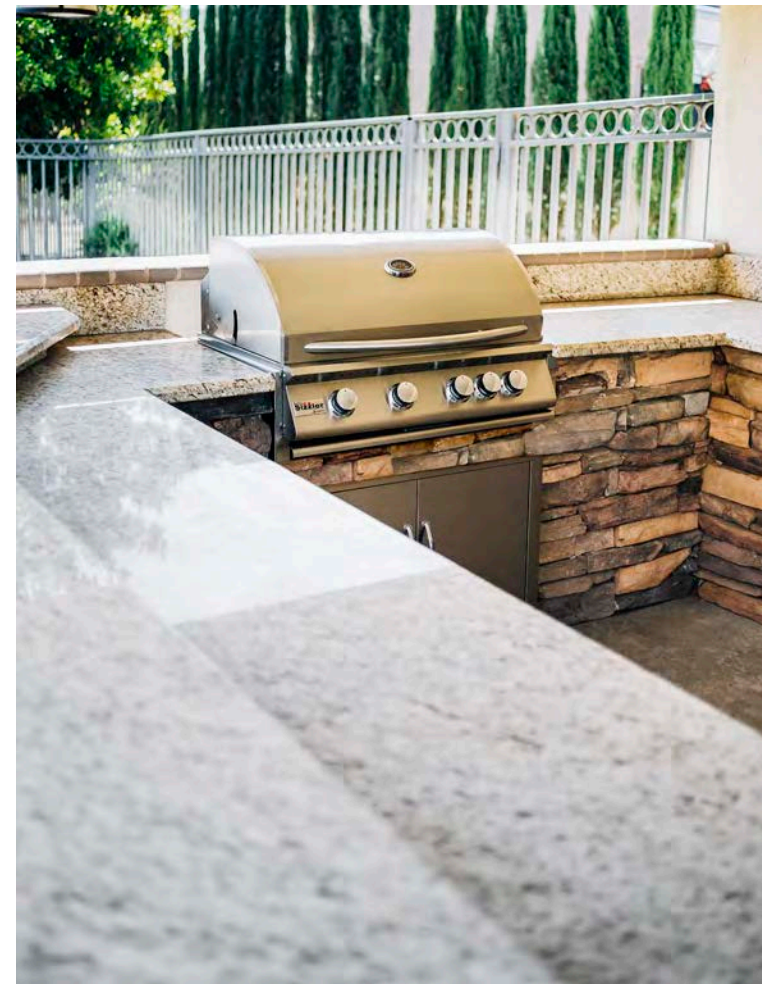


SIZZLER 40" GRILL



SIZZLER CART

- #443 Stainless Steel Construction
- Double-Lined Hood
- 8mm Cooking Grates
- 12,000 BTU Stainless Tube Burners
- 15,000 BTU IR Back Burner
- Flame Thrower Ignition
- Manual Flash Tube Ignition
- Easy-Clean Briquette System
- Built-In and Cart Models Available
- Matching Side Burner Available
- Rotisserie Kits Available
- 15,000 BTU Drop-In Sear Burner Available
- 14,000 BTU Cast Stainless Burners Available





# SIZZLER PRO

The all new Sizzler Pro Series combines features, quality construction and affordability. Based on the same sleek design of our classic Sizzler, with the addition of interior and exterior lighting, 14,000 BTU cast burners and heat zone separators, this grill really sets itself apart. And the best part is... it won't break your wallet.



SIZZLER PRO 32" GRILL



SIZZLER PRO 40" GRILL



SIZZLER PRO CART

- #443 Stainless Steel Construction
- Double—Lined Hood
- 8mm Cooking Grates
- 14,000 BTU Cast Stainless Burners
- 15,000 BTU IR Back Burner
- Heat Zone Separators
- Exterior LED Lighting
- Interior Cooking Lights
- Flame Thrower Ignition
- Manual Flash Tube Ignition
- Easy-Clean Briquette System
- Built-In and Cart Models Available
- Matching Side Burner Available
- Rotisserie Kits Available
- 15,000 BTU Drop-In Sear Burner Available





# TRL/TRLD

The TRL is a fully loaded workhorse, a grilling classic packed with luxury features. Complete with interior lights, exterior LEDs, rear infrared burner, rotisserie set, flame thrower valves, easy-clean briquette burner covers and plug-and-play infrared sear zone options, the TRL makes professional grilling easy. With a commercial-grade stainless steel construction and 16-gauge stainless steel burners backed by a lifetime warranty, this grill is built to last.



TRL 32" GRILL



TRL 38" GRILL



TRLD 44" GRILL

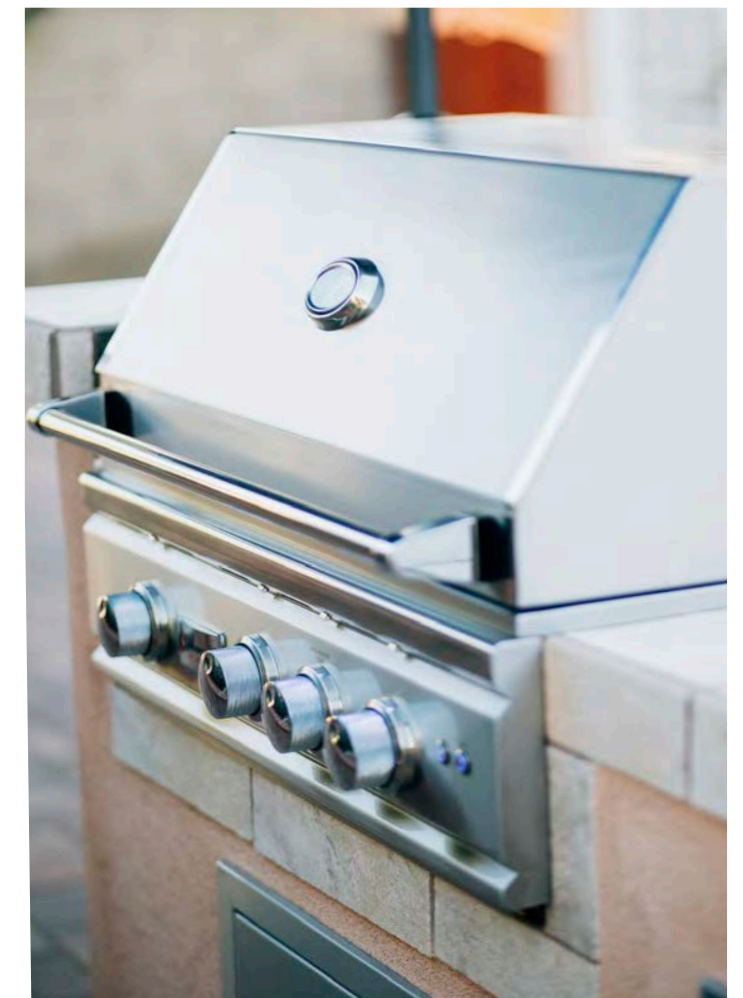


TRL/TRLD CART

- #304 Stainless Steel Construction
- Double-Lined Hood
- 8mm Cooking Grates
- 18,000 BTU #304 Stainless Burners
- 15,000 BTU IR Back Burner
- Flame Thrower Ignition
- Exterior LED and Interior Halogen Lighting
- Easy-Clean Briquette System
- Rotisserie Kit Included
- 18,000 BTU Drop-In Sear Burner Available
- Built-In and Cart Models Available
- Matching Sear Burner Available
- Matching Double Side Burner Available
- 20,000 BTU Cast Stainless Burners Available

## DELUXE FEATURES

- 20,000 BTU Cast Stainless Burners
- Heavy-Duty 9mm Cooking Grates
- Heat Zone Separators





# ALTURI

The Alturi Series can be summed up in one word — luxury. Designed with elegance, fueled with raw power and loaded with every feature, this grill sets the bar for luxury outdoor cooking. Details like the angle-mounted interior lights, rotisserie storage and spring-assisted hood provide ultimate convenience, while its solid #304 stainless steel construction and high BTU Red Brass burners - the most durable in the market - guarantee lasting performance. When it comes to performance, quality and style, Alturi truly stands alone.



ALTURI 30" GRILL



ALTURI 36" GRILL



ALTURI 42" GRILL



ALTURI CART

- #304 Stainless Steel Construction
- Double-Lined Hood w/ Spring Assist
- Heavy-Duty 9mm Cooking Grates
- 26,000 BTU Main Burners
- 15,000 BTU IR Back Burner
- 7,000 BTU Smoker Burner\*
- Interior Halogen Lighting
- LED Front Panel Lighting
- Heat Zone Separators
- Easy-Clean Briquette System
- Flame Thrower Ignition
- Rotisserie Kit Included
- 26,000 BTU Drop-In Sear Burner Available
- Matching Side Burner Available
- Matching Double Side Burner Available
- Built-In and Cart Models Available
- Red Brass or Stainless Tube Burners Available

\*Available on 30" and 42" models





# BUILDER GRILL

---

The Summerset Builder grill has been specially designed to accommodate all types of multifamily and commercial applications. Whether it is an apartment community, hotel, or country club, these environments get a great deal of extra use. Donning the same beefed-up body as our luxury Alturi series, the Builder Grill is made with solid #443 stainless steel construction, 9mm cooking grates, and extra thick 14 gauge stainless steel burner covers. Available in both built-in and pedestal models, this grill is the perfect option for any commercial application.



BUILDER GRILL



BUILDER GRILL PEDESTAL

- #443 Stainless Steel Construction
- Double-Lined Hood
- Heavy-Duty 9mm Cooking Grates
- 26,000 BTU #304 Stainless Burners
- Flame Thrower Ignition
- Heavy-Duty 14 Gauge Flame Tamers
- Locking Drip Tray
- Heavy-Duty Anti-Theft Knobs
- LP Conversion Kit Included
- Built-in, Cart, and Pedestal Models Available
- Gas Timer Available







**AMERICAN**  
MUSCLE GRILL



# AMERICAN MUSCLE GRILL

We can argue all day about what fuel is “best” for grilling, but now we can put an end to all that. Instead, you can rev up this multi-fuel monster and enjoy all of the benefits of gas, charcoal, lump coal, wood chunks and infrared - all in a single grill. This patent-pending multi-fuel design offers the griller ultimate variety and convenience. Use all of these fuels simultaneously, or choose the perfect match for your meal. You can cook with gas, or simply use it to ignite the solid fuel of your choice in just seconds - also reload or switch fuels at any time without disturbing the cooking process. If alternative fuels aren’t your thing, don’t worry. The AMG has gas covered, with over 100,000 BTUs of horsepower and a patent-pending heat dispersion design to get the job done right. Whatever the situation, this grill will not only accommodate, it will revolutionize your grilling experience.



36" AMERICAN MUSCLE GRILL



AMERICAN MUSCLE GRILL CART

- #304 Stainless Steel Construction
- 16 Gauge Double-Lined Hood With Spring Assist
- Dual Hood Vents For Heat Control
- Full Width Hood Handle
- 22,000 BTU Main Burners
- 14 Gauge #304 Stainless Steel Burners
- 12 Gauge #304 Burner Covers
- 9 Gauge Reversible V-Shaped Grates
- Flame Thrower Valve Ignition
- Simultaneous Gas And Solid Fuel Capability
- Patented 12 Gauge Solid Fuel Trays
- Grate Lifting Tool For Solid Fuel Refilling During Use
- Dual Interior Cooking Lights
- Exterior LED Lighting
- Easy-Clean Drip Pan With Drain System
- Built In Rotisserie Spit Storage
- Heavy-Duty Rotisserie Kit With 100 lb. Capacity Available
- 22,000 BTU Drop-n Sear Burner Available
- Matching Power Burner Available
- Matching Island Components Available
- Built-In And Cart Models Available
- Made, Designed, Tested and Serviced in the USA



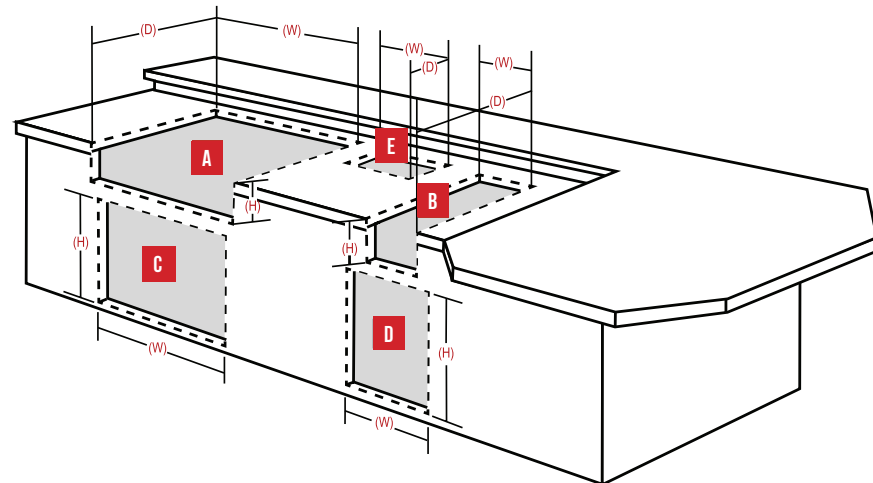


# CUTOUT DIMENSIONS

Measure twice, cut once. In this case we've done the measuring for you. Use the diagram below as a reference to customize your outdoor kitchen with efficiency and style.

Product	Model #	Cutout Dimensions ( W x H x D )	Diagram
<b>GRILLS</b>			
Builder Grill	SBG32	28½" x 10 <sup>3</sup> / <sub>16</sub> " x 23 <sup>1</sup> / <sub>16</sub> "	A
Sizzler 26" Grill	SIZ26	23¾" x 8½" x 20¾"	A
Sizzler/PRO 32" Grill	SIZ/PRO32	30¾" x 8½" x 20¾"	A
Sizzler/PRO 40" Grill	SIZ/PRO40	38" x 8½" x 20¾"	A
TRL 32" Grill	TRL32	30½" x 10" x 20¾"	A
TRL 38" Grill	TRL38	38½" x 10" x 20¾"	A
TRLD 44" Grill	TRLD44	45¼" x 11" x 20"	A
Alturi 30" Grill	ALT30	28½" x 10 <sup>3</sup> / <sub>16</sub> " x 23 <sup>1</sup> / <sub>16</sub> "	A
Alturi 36" Grill	ALT36	34½" x 10 <sup>3</sup> / <sub>16</sub> " x 23 <sup>1</sup> / <sub>16</sub> "	A
Alturi 42" Grill	ALT42	40½" x 10 <sup>3</sup> / <sub>16</sub> " x 23 <sup>1</sup> / <sub>16</sub> "	A
AMG 36" Grill	AMG-36	35" x 15" x 25"	A
<b>SIDE BURNERS</b>			
( W x H x D )			
Single Side Burner	SSSB-1	8" x N/A x 15½"	B
Sizzler/PRO Double Side Burner	SIZ/PROSB-2	10¾" x 8½" x 20¾"	B
TRL Double Side Burner	TRLSB-2	11¾" x 9" x 19"	B
Sear Side Burner	SSEAR-1	11¾" x 9" x 19"	B
Alturi Double Side Burner	ALT-2B	13¼" x 10¼" x 23"	B
Alturi Sear Side Burner	ALT-SS	13¼" x 10¼" x 23"	B
Power Burner	SSPB-1	13¾" x 9½" x 19"	B
AMG Power Burner	AMG-PB	14½" x 12" x 19"	B
<b>UTILITY COMPONENTS</b>			
( W x H x D )			
Trash Chute	SSTC-1	6¼" x N/A x 8¼"	E
Beverage Center	SSBCL-1	28¼" x 10" x 23¾"	B
15" Sink & Faucet	SSNK-2	14¾" x N/A x 14¾"	B
Undermounted Sink	SSNK-3	13" x N/A x 11"	B
Ice Chest Large	SSIC-1	26¾" x 18¾" x 19½"	E
Ice Chest Small	SSIC-2	15½" x 11¾" x 23"	E
Island Vent	SSIV-1	12½" x 3 ¼" x N/A	-
Masonry Island Vent	SSIV-M	12" x 6" x N/A	-

Product	Model #	Cutout Dimensions ( W x H x D )	Diagram
<b>DOORS</b>			
( W x H x D )			
Vertical Mini Door	SSMD-1	14¼" x 16¼" x N/A	C
Vertical Door	SSDV-1	14¼" x 19¼" x N/A	C
Vertical Door Large	SSDVL-1, SSDVL-M	17¼" x 24¼" x N/A	C
Horizontal Door	SSHD-1	24¼" x 17¼" x N/A	C
Double Door 30"	SSDD-30, SSDD-30M	30¼" x 19½" x N/A	C
Double Door 36"	SSDD-36	34½" x 17¾" x N/A	C
Double Door 42"	SSDD-42, SSDD-42M	42¼" x 19½" x N/A	C
Door/2-Drawer Combo	SSDC-1, SSDC-M	30¼" x 19½" x 20¾"	C
Door/3-Drawer Combo	SSDC-3	29¾" x 20¾" x 20½"	C
Pantry-Door Combo	SSPC-36	34½" x 17¾" x 20¾"	C
<b>DRAWERS</b>			
( W x H x D )			
Utility Drawer	SSUD-1	23¾" x 4" x 20¾"	C
Single Drawer	SSDR-1	15¼" x 10½" x 20¾"	D
Double Drawer	SSDR-2, SSDR-2M	15¼" x 19¼" x 20¾"	D
Triple Drawer	SSDR-3	15¼" x 27¾" x 20¾"	D
Double Horizontal Drawer	SSHDR-2	30¾" x 6¼" x 20½"	D
Trash/LP Tank Drawer	SSTD-1, SSTD-M	18" x 24¾" x 20½"	D
Towel Drawer Holder	SSTDH-1	14¾" x 8¾" x 8¾"	D
Towel/2-Drawer Combo	SSTDC-1, SSTDC-M	15¼" x 27¾" x 20¾"	D
36" Storage Drawer	SSSD-36	34¾" x 17¾" x 22"	D
<b>REFRIGERATION</b>			
( W x H x D )			
Summerset / Alturi Refr.	SSRFR-1, ALTRFR-1	22" x 33½" x 24"	D
Outdoor Rated Refrigerator	ORFR-2	24" x 33¼" x 25"	D
Refrigerator Trim Kit	SSRTK-1	22¼" x 33½" x N/A	D
ORFR-2 Trim Kit	ORFRTK-1	24 <sup>3</sup> / <sub>16</sub> " x 33 <sup>3</sup> / <sub>16</sub> " x N/A	D



- A GRILLS**
- B SIDE BURNERS**
- C DOORS**
- D DRAWERS**
- E UTILITY COMPONENTS**

# WARRANTY

Summerset Professional Grills is now backed by our strongest warranty yet! In addition to precision engineering and outstanding performance, we've beefed up our Summerset grill series to include a LIFETIME WARRANTY. Now you can use a grill with the peace of mind that you have an industry leading warranty.

## SUMMERSET SERIES

- Lifetime warranty on construction and manufacturer defects
- Lifetime warranty on frame and housing
- Lifetime warranty on cooking grates, burners and valves
- 1 year warranty on all other parts, components, and electrical

## AMG SERIES

- Lifetime warranty on construction and manufacturer defects
- Lifetime warranty on frame and housing
- Lifetime warranty on cooking grates, burners and valves
- Lifetime warranty on burner cover and fuel trays
- 1 year warranty on all other parts, components, and electrical

## BUILDER GRILL

1 year warranty on workmanship, construction, and manufacturer defects for all commercial and/or hospitality applications. Warranty covers all factory defects. Warranty does not cover regular cleaning, vandalism, misuse, or theft. All warranty claims are subject to manufacturer review. Warranty is valid only provided that regular maintenance is exercised. Due to the nature of commercial applications (multiple users, lack of control of use, etc.) regular maintenance is mandatory.

## COMPONENTS

- Limited lifetime warranty on construction, workmanship and materials for all stainless steel components, including doors, drawers, ice chests, beverage centers, sinks and grill liners.
- Limited (5 year) warranty on carts.
- Limited (1 year) warranty on grill covers.







SUMMERSET PROFESSIONAL GRILLS