



outdoor  
gas fireplaces



Regency Plateau™ PT028 City firetable shown with iron gray top and glass wind shield.

## Regency Plateau™ Firetables

PTO28 City, PTO30 Coffee

### Linger outdoors longer... in style

Regency's Plateau™ City and Coffee Firetables deliver warmth, durability and style that's perfect for outdoor living. Their contemporary styling offers design versatility that can be customized with your choice of table top finishes and multiple firebed display options to create the ideal fire-side setting.





Regency Plateau™ PTO30CFT Coffee firetable shown with Sunset Bronze top, crystals and wind shield.



Plateau PTO30CFT Coffee firetable shown with stainless steel top, copper crystals and wind shield.

#### Standard Features

- Propane
- Stainless steel burner
- Easy access on / off switch
- Match light ignition system
- Safety valve (turns gas off if flame goes out)
- Manual flame height adjustment
- Dining leaf adds functionality as an outdoor table when fireplace not in use
- LP tank access & storage (PTO28 - 20lb tank, PTO30CFT - 11lb tank)
- Approved for outdoor installation only
- No venting required

#### Optional Features

- Stainless steel or Sunset bronze powder coated top (PTO30CFT)
- Stainless steel or Iron gray powder coated top (PTO28CIT)
- Crystals in various colors (must choose one)
- Volcanic stones
- Ceramic log set
- Seasonal weather cover
- Tempered glass wind shield (4-pc) - recommended
- 4 casters (wheels to replace leveling legs - PTO30CFT)
- NG conversion kit
- LP hard line conversion kit (PTO28CIT)





Plateau PTO30CKT Cocktail firetable shown with coffee tile top, glass crystals and windshield.

## Regency Plateau™ Firetables

PTO30 - Cocktail & Island

### Durable, Reliable, Beautiful Conversation Tables

Regency brings a fresh modern look to outdoor living with the Regency Plateau™ Island or Cocktail firetable. Ideal for entertaining, the linear design of the Plateau leaves plenty of room for family and friends to gather around. The Plateau series offers thoughtful details like flame adjustment, slide out tank storage, optional exquisite glass wind shield and dining leaf to name a few. Now, you can enjoy the ambience of a warm glowing fire in your own outdoor living space.





Plateau PT0301ST Island firetable shown with slate black tile top, copper glass crystals and windshield.



Plateau PT0301ST Island firetable shown with coffee brown tile top, volcanic rocks and windshield.

#### Standard Features

- Propane
- Stainless Steel 30" Linear burner
- Easy access on / off switch
- Match light ignition system
- Manual flame height adjustment
- Safety valve (turns gas off if flame goes out)
- Dining leaf adds functionality as an outdoor table when fireplace not in use
- Slide on LP tank access & storage (approved for use with a 20lb tank)
- Approved for outdoor installation only
- No venting required (see manual)

#### Optional Features

- Porcelain tile table top in coffee or slate black (must choose one)
- Frame for custom tile (must choose with porcelain tile above or custom tile)
- Crystals in various colors (must choose one)
- Volcanic stones
- Ceramic log set
- Seasonal weather cover
- Tempered glass wind shield (4-pc) - recommended
- 4 casters (wheels to replace leveling legs)
- LP hard line conversion kit
- NG conversion kit





Custom application using the Regency Plateau™ PTO60 burner, windshield and framing kit.

## Regency Plateau™ Burners

Outdoor Gas Fireplace for Custom Applications

### The Ultimate Customized Firespace

For custom applications, the Regency Plateau™ outdoor gas fireplace brings you the design versatility of a linear stainless steel burner for multiple sizing applications. Whether you are a landscape designer or a homeowner looking to renovate an outdoor living space, the Regency Plateau fireplace creates endless design possibilities.

For an incredible dramatic effect, you can connect two Plateau outdoor gas burners to make an impressive 60" linear gas fireplace.





Custom application using the Regency Plateau™ PT030 burner and see-through framing kit.



Custom application using the Regency Plateau™ PT030 burner.

#### Standard Features

- Natural Gas
- Stainless Steel 30" or 60" Linear burner
- Easy access on / off switch
- Electronic ignition
- Safety valve (turns gas off if flame goes out)
- Approved for outdoor installation only
- No venting required

#### Optional Features

- Crystals in various colors (must choose one)
- Volcanic stones
- Ceramic log set
- Tempered glass wind shield (4-pc) - recommended
- LP conversion kit
- Framing kits





Regency Horizon HZO42 shown with copper crystals.

## Regency Horizon™ HZO42

### Outdoor Gas Fireplace

#### Design your own outdoor firespace

All of the sophisticated, contemporary styling and quality workmanship of the Regency Indoor Horizon series is mirrored in this dramatic outdoor fireplace. Beautiful flames are amplified by a reflective stainless steel body with your choice of volcanic stones, reflective crystals or traditional logs. Personalize your outdoor room to match your home with tile, stone or slate creating a seamless transition to your outdoor room.







Regency Horizon HZ042 shown with stainless steel faceplate and slate gray volcanic stones.



Regency Horizon HZ042 shown with copper crystals.

#### Standard Features

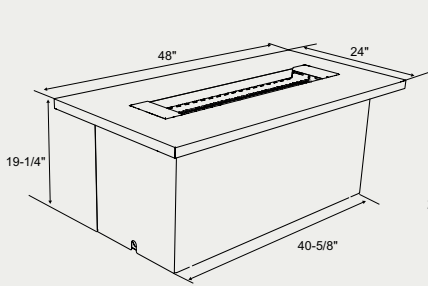
- Natural gas or propane
- Stainless steel faceplate & inner panels
- Stainless steel burner covered with copper crystals
- Tempered glass wind shield
- Stainless steel heat deflector
- Easy access on/off switch
- Electronic ignition system
- Safety valve (turn gas off if flame goes out)
- Seasonal weather cover
- Approved for outdoor installation only
- No venting required

#### Optional Features

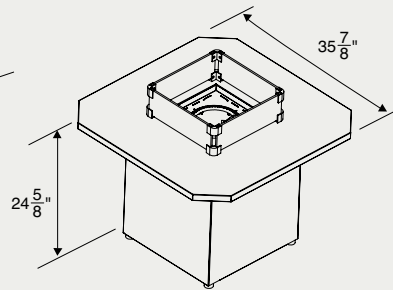
- Volcanic stones
- Crystals in various colors
- Ceramic log set
- Framing kit



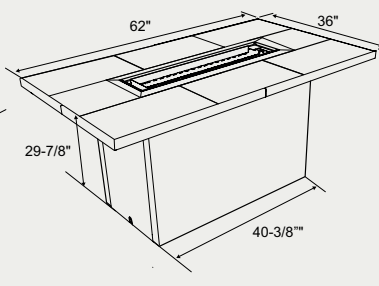
# Firetables



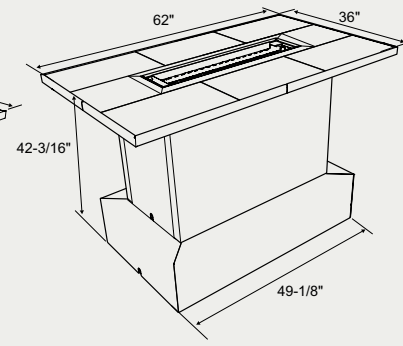
PTO30CFT Coffee Firetable



PTO28CIT City Firetable



PTO30IST Island Firetable



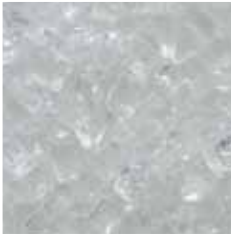
PTO30CKT Cocktail Firetable

Specifications	PTO30CFT		PTO28CIT		PTO30IST		PTO30CKT	
	NG	LP	NG	LP	NG	LP	NG	LP
Input (BTU)	50,000	49,000	35,000	35,000	50,000	49,000	50,000	49,000
Turn down to (BTU)	30,000	38,000	--	--	30,000	38,000	30,000	38,000

## Firebed options



Copper crystals



Starfire crystals



Black reflective crystals



Ceramic log set



Volcanic stones  
ivory/tan



Volcanic stones  
slate/grey

## Island/Cocktail porcelain tile table top options



Coffee Brown



Slate black

## Coffee firetable top options



Stainless steel



Sunset bronze

## City firetable top options



Stainless steel



Iron gray

## Glass wind shield



Exquisitely finished tempered glass for maximum comfort and optimum fire viewing

## Dining leaf

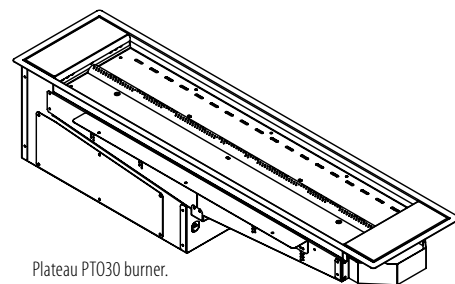


Matching dining leaf burner cover (stainless steel/sunset bronze/iron gray)  
(not available for PTO30 and PTO60 burners)

# DIY - burners & framing kits

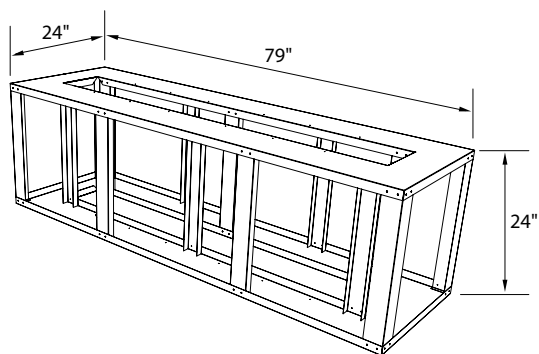
For custom designs, the Regency Plateau™ outdoor gas burner brings you the design versatility of a linear stainless steel burner for multiple applications. Available in 30" (PTO30) or install two together to turn it into a 60" burner (PTO60).

Specifications	PTO30		PTO60	
	NG	LP	NG	LP
Input (BTU)	50,000	49,000	100,000	98,000
Turn down to (BTU)	--	--	--	--



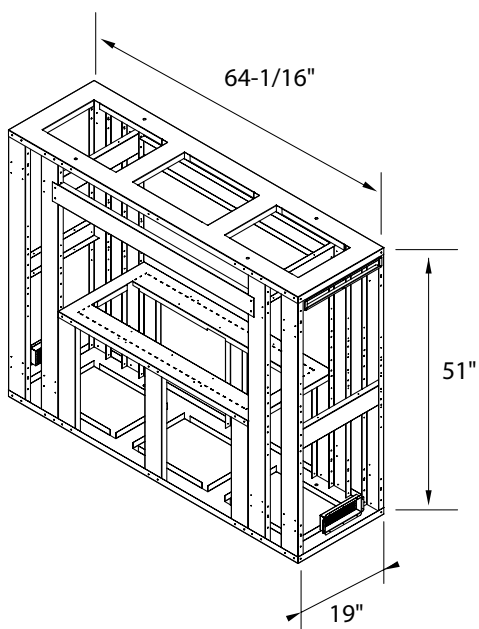
Plateau PTO30 burner.

## PTO60 table framing kit



Custom application using the Regency Plateau™ PTO60 burner, windshield and framing kit.

## PTO30 see-through framing kit



Custom application using the Regency Plateau™ PTO30 burner and see-through framing kit.



See-through framing kit - propane drawer

### See-through framing kit options:

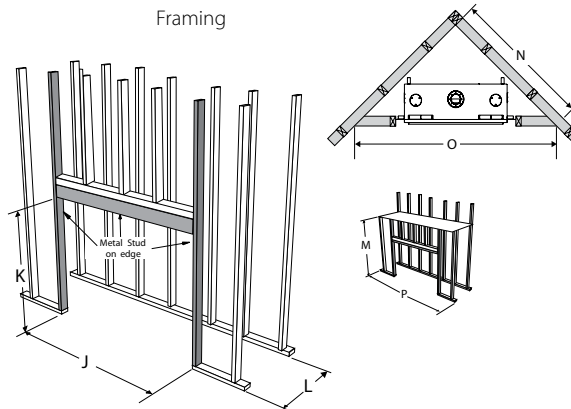
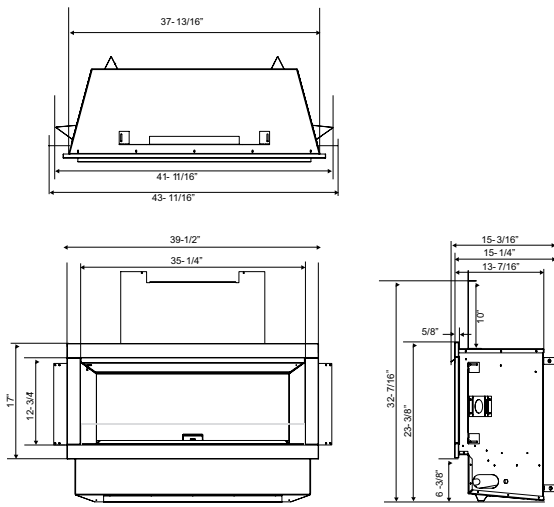
- stainless steel inner panels
- propane drawer

# 1-2-3 Instant fireplace



No fireplace? No problem! The Regency steel framing kit allows you to install and finish your outdoor gas fireplace in no time...  
Dimensions: 60"W x 20"D x 52-1/2"H

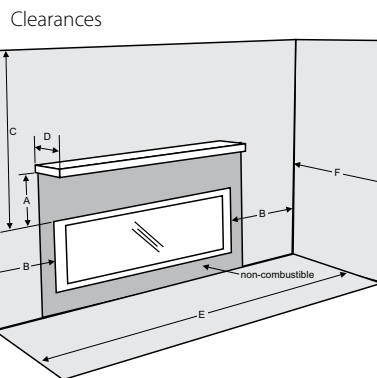
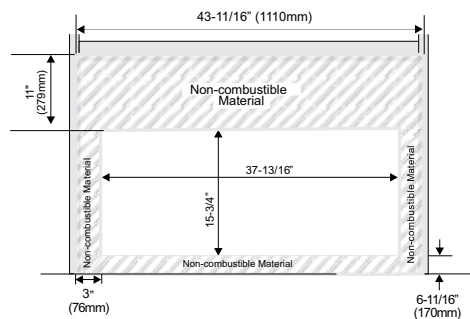
## Regency Horizon™ HZO42 outdoor fireplace (this fireplace is for outdoor use only)



Specifications	NG	LP
Input (BTU)	44,500	43,500

Dimensions	
Faceplate Width	39-1/2"
Faceplate Height	17"
View area	446 sq.in.

Framing	HZO42
J	60"
K	52-1/2"
L	20"
M	52-1/2"
N	40-7/16"
O	54-3/16"
P	60"



Clearances	HZO42
A*	26-1/2"
B	11"
C	36"
D**	12"
E	57"
F	36"

\* Minimum at 1" deep  
\*\* Minimum at 26-1/2" above

**NOTE:** Two ventilation grills are highly recommended for all enclosures. This is to alleviate moisture and allow air to circulate. Minimum recommended size is 20 sq. in. for each grill.

**NOTE:** All product specifications are subject to change without notice. Before installing refer to the relevant product manual for full and up to date information. Manuals can be downloaded from our web site [www.regency-fire.com](http://www.regency-fire.com)