

TRADITIONAL
GAS FIREPLACES



TRADITIONAL
GAS FIREPLACES



why choose Regency?

Beautiful Home Heating Solutions

Regency Fireplace Products was founded over 30 years ago with a mission to produce the finest fireplace products available anywhere. Regency has heating solutions for every room in your home. Listening to our customers has enabled us to become the premium brand in the market today.

Regency Quality

The Regency name means quality in every way. The product is created and built in a world class manufacturing facility focused on getting every detail just right. Represented across North America by a carefully selected professional retail network, you can rely on knowledgeable dealers and installers who understand how to make our products run safely and to the optimum performance.

Exceptional Fire

The essence of each and every Regency fireplace is the unique flame. Without question, it's the best in the industry. With its dancing flames and glowing embers, the Regency fire looks just like a wood fire.

Custom Styling

By researching current trends and styles we have created tasteful options and accessories that allow you to tailor the look of our fireplace to your home. Sleek and simple or grand and glamorous... your choice.

Lifetime Warranty

I am so confident in the quality workmanship, the finest materials and durable heavy-duty construction invested in each and every product, that I offer a Limited Lifetime Warranty. The Regency warranty is the best in the industry. I am absolutely sure that you will be as proud of your Regency Gas Fireplace as I am – I guarantee it.

Robert Little
Founder & CEO



Liberty® Large Gas Fireplace L965E



L965E gas fireplace shown with castlestone brick panels.



Elegant Style, Controllable Heat

Creating an elegant focal point is easy with the Regency Liberty® L965E. This clean face fireplace keeps the focus on the fire with one of the largest viewing areas available in the Regency line. The L965E permits finish materials to be installed to the edges for a pure, unadorned appearance. An adjustable burner system allows the flame to be controlled for mood and comfort from a roaring fire to a gentle glow all from the convenience of a hand-held remote control.

Standard Features

- Natural Gas
- High Definition 8 piece ceramic log set
- Hand painted, high definition ceramic glowing ember bed
- Split Flow burner to allow for variable heat control
- Electronic ignition with SureFire™ switch
- Proflame GTMFS remote control
- Clean Face Front with ceramic glass
- Direct vent
- Accent light
- Limited lifetime warranty

Optional Features

- Old town red, ledgerstone, castlestone & black enamel inner panels (must choose one)
- Black full screen door
- Mesh glass guard
- Propane Conversion kit
- Vertical or horizontal vent terminations
- Heat distribution kit
- Power vent Kit
- AstroCap® venting system

Specifications	Natural Gas	Propane
Input (BTU)	48,000	48,000
Turn down to (BTU)	16,000	17,000
EnerGuide Rating*	63.11%	63.46%
Efficiency (steady state)	79%	79%
Dimensions		
Viewing area	965 sq.in.	
Width	36-13/16"	
Height	33-1/4"	
Depth	24"	

* for Canada only

For detailed specifications please see pages 18-23.

Bellavista® Large Gas Fireplaces

B41XTCE & B41XTE



Bellavista B41XTCE shown with old town red brick panels.

Expansive viewing area

With its impressive viewing area and artistic fire presentation, the Bellavista® creates beautiful gathering spaces. The B41XTCE offers a flush face design for a frameless display, while the B41XTE offers a range of trim finishes to suit any environment. Platinum embers and finely detailed logs molded from real logs create a truly authentic fire experience. With 42,500 BTUs of controllable heat, the Bellavista is an efficient direct vent fireplace perfect for medium to large living spaces.

 See it burn
regency-fire.com





B41XTE shown with flush panels & brown brick panels.



B41XTE shown with flush panels & castlestone brick panels.



B41XTE shown with arch full screen doors & brown brick panels.



B41XTE shown with black louvers and black enamel panels.

Specifications (NG)*	B41XTCE	B41XTE
Input (BTU)	42,500	42,500
Turn down to (BTU)	30,000	30,000
EnerGuide Rating (Canada only)	68.59%	68.59%
Efficiency (steady state)	73%	73%
Dimensions (finished area)		
Viewing Area	840 sq. in.	840 sq. in.
Width	38-7/16"	41-11/16"
Height	29-1/8"	36-11/16"
Depth	25-9/16"	23-1/4"

* For propane (LP) specs please see page 20.
For detailed specifications please see pages 18-23.

Standard Features

- Natural gas or propane
- Electronic ignition with SureFire™ switch
- Beautiful fire with platinum & Embaglow embers
- Black vermiculite floor
- Ceramic glass
- Maximized viewing area
- Top or rear vent for versatile installations
- Wall mounted on/off switch
- Direct vent
- Limited lifetime warranty

Optional Features

- Louvers**
- Black flush panels**
- Finishing trim (3-piece)**
- Arch full screen doors**
- Mesh glass guard
- Brick panels
- Inner reflective panels in black enamel
- Ember upgrade kit
- Variable speed blower
- Proflame remote controls
- Vertical or horizontal vent terminations
- AstroCap® venting system

Bellavista® Medium Gas Fireplaces

B36XTCE & B36XTE



Bellavista B36XTE shown with midnight gray arch full screen doors and brick panels.

Bold flames

Bellavista means beautiful view in Italian, describing perfectly the fire view from either one of the most popular sized fireplaces in the Regency line up. The B36XT features a bold flame and log package behind a 641 square inch viewing area providing up to 31,000 BTU of comforting heat. The quality workmanship is evident in the fine finishes, custom accessories and high safety ceramic glass.





Bellavista B36XTCE shown with brick panels.



B36XTE shown with black arch full screen doors and brick panels.



B36XTE shown with black louvers, black enamel panels, finishing trim and ember upgrade package.



B36XTE shown with flush panels, castlestone brick panels and ember upgrade package.

Specifications (NG)*	B36XTCE	B36XTE
Input (BTU)	31,000	31,000
Turn down to (BTU)	21,500	21,500
EnerGuide Rating (Canada only)	66.5%	66.5%
Efficiency (steady state)	71%	71%

Dimensions (finished area)		
Viewing area	641 sq.in.	641 sq.in.
Width	32-7/8"	36"
Height	25-5/8"	35-1/4"
Depth	23-5/8"	17-5/16"

* For propane (LP) specs please see page 20.
For detailed specifications please see pages 18-23.

Standard Features

- Natural gas
- Electronic ignition with SureFire™ switch
- Beautiful fire with platinum & embaglow embers
- Ceramic glass
- Steel fire grate
- Wall mounted on/off switch
- Black vermiculite floor
- Top or rear vent
- Limited lifetime warranty

Optional Features

- Louvers**
- Black flush panels**
- Finishing trim (3-piece)**
- Arch full screen doors**
- Mesh glass guard
- Brick panels
- Inner reflective panels in black enamel
- Variable speed blower
- Proflame remote controls
- Propane conversion kit
- Horizontal or vertical vent termination
- AstroCap® flex venting system

** B36XTE only

Panorama® Medium Gas Fireplaces

P36/P36E/P36D



P36 shown with midnight brown full screen doors and brick panels.

Most popular size

The most popular fireplace size is available in both slim and deep box designs, delivering a beautiful fire and efficient heat to most common family rooms, dens and bedrooms.

With the versatile Panorama P36, you can turn a traditional fireplace into a dynamic part of your home décor. Customize with warm finishes, screen doors and decorative accents - make it your Regency, right down to the last detail.





P36 shown with black louvers.



P36 shown with Tripoli front and brick panels.

P36 shown with black full screen doors and brick panels.

Specifications (NG)*	P36	P36E	P36D
Input (BTU)	30,000	29,500	30,000
Turn down to (BTU)	15,500	19,500	15,500
EnerGuide Rating (Canada only)	62.70%	67.45%	64.6%
Efficiency (steady state)	82%	82%	82%
Dimensions			
View area	452 sq.in.	452 sq.in.	452 sq.in.
Width	36"	36"	36"
Height	30-1/2"	30-1/2"	30-1/2"
Depth	12-3/4"	12-3/4"	17-1/8"

* For propane (LP) specs please see page 20.
For detailed specifications please see pages 18-23.

Standard Features

- Natural gas
- Electronic ignition with Surefire™ switch (P36E) or standing pilot system (P36/P36D)
- Beautiful fire with glowing logs, fire grate and platinum & Embaglow embers
- Flame height adjustment control
- Louver mounted controls
- Flush front with ceramic safety glass
- Black brick panel floor (P36D only)
- Limited lifetime warranty

Optional Features

- Slim or deep fire
- Louvers
- Finishing trim (3 & 4 sided trim)
- Full screen doors
- Tripoli™ 3 panel arch door and frame
- Brick panels
- Ember upgrade kit
- Variable speed blower
- FireGenie® remote control
- Propane conversion kit
- Vertical or horizontal vent terminations
- Heat Wave™ power duct kit & Heat Release™ kit
- AstroCap® venting system

Panorama® Small Gas Fireplaces

P33CE/P33E/P33



P33CE Gas Fireplace shown with brick panels.

Compact design

True flush finishing and a louverless front face provide an unobstructed view of the fire in Regency's new Panorama™ P33CE gas fireplace. As a focal point in small to medium-sized spaces, the P33CE embodies the complete fireplace experience with a ceramic log set and glowing platinum and Embaglow™ fiber embers. Measuring just 12-3/4 inches in depth, the slim design of the P33 offers tall style in a compact size with all the features of the Panorama collection and just the right amount of heat output.





P33CE shown with Verona 33 glass surround in chocolate brown.



P33E shown with black full screen doors and brick panels.



P33 shown with black louvers, finishing trim and brick panels.



P33CE shown with Verona surround in black and brick panels.

Specifications (NG)*	P33CE	P33E	P33
Input (BTU)	20,000	20,000	20,000
Turn down to (BTU)	14,000	14,000	14,000
EnerGuide Rating (Canada only)	67.41%	67.41%	65.50%
Efficiency (steady state)	76%	76%	76%

Dimensions	P33CE	P33E	P33
Width	34-9/16"	33"	33"
Height	29-1/4"	29"	29"
Depth	16"	12-3/4"	12-3/4"

* For propane (LP) specs please see page 20.
 For detailed specifications please see pages 18-23.

Standard Features

- Natural gas
- Electronic ignition with Surefire™ switch (P33E/P33CE) or standing pilot system (P33)
- Beautiful fire with glowing logs, fire grate and platinum & emberglow embers
- 45° flue for versatile installations
- 416 sq. in. viewing area
- Flame height adjustment control
- Louver mounted controls**
- Flush front with ceramic safety glass
- Limited lifetime warranty

Optional Features

- Louvers**
- Finishing trim**
- Full screen doors**
- Mesh glass guard
- Verona 33 surrounds (P33CE only)
- Brick panels
- Ember upgrade kit
- Variable speed blower
- Remote control
- Wall thermostat
- Propane conversion kit
- Vertical or horizontal vent terminations
- Heat Wave™ power duct kit
- AstroCap® venting system

** P33 & P33E only

Panorama® Three & Two Sided Fireplaces P131 & P121



Panorama P131 featuring black louvers.

One fire, two rooms

Enjoy the ambience of a Regency fire in two rooms with a see-through direct vent fireplace from Regency. The Panorama two and three sided gas fireplaces add a stylish transition between two rooms. The large glass viewing area maximizes the radiant heat output providing up to 40,000 BTUs of heat per hour.



P121 shown with black louvers.

Specifications	Natural Gas	Propane
Input (BTU)	40,000	39,000
Turn down to (BTU)	20,500	20,600
EnerGuide Rating (Canada only)	60.66%	62.51%
Efficiency (steady state)	75%	75%

Unit Dimensions	P131	P121
Viewing area	1,658 sq.in.	1,305 sq.in.
Width	41-1/2"	43-1/2"
Height	36"	36"
Depth	25"	25"

For detailed specifications please see pages 18-23.

Standard Features

- Natural Gas
- Large realistic flames with platinum & Embaglow embers
- Flush front with tempered glass
- Realistic 8-piece collapsed log set and fire grate
- Old town red side brick panels in standard design
- Black brick panel floor
- One speed blower
- Flame height adjustment control with up to 50% turn down
- 45° flue for versatile installations
- Limited lifetime warranty

Optional Features

- Louvers
- Finishing trim (P121 only)
- Ceramic glass for bathroom installations
- Ember upgrade kit
- FireGenie® remote control
- Wall thermostat
- Propane conversion kit
- Vertical or horizontal vent terminations
- AstroCap® venting system

Excalibur® Gas Fireplace

P90



Excalibur P90 shown with black surround, black double screen doors & herringbone brick panels.

Timeless arch design

Glowing embers and realistic split logs are molded from real wood to create the appeal of an authentic looking wood-burning fire. Excalibur fireplaces combine different options in doors, handles, brick panels and decorative accents for added details and unique looks.

Standard Features

- Natural gas
- Flush front with ceramic safety glass
- Realistic logs with beautiful flames and platinum & Embaglow embers
- Black brick panel floor
- Variable speed thermostatic blower
- Flame height adjustment control with up to 50% turndown
- Limited lifetime warranty

Optional Features

- Black designer arch surround (required)
- Double screen doors in black
- Accent kits in polished gold or polished nickel for double doors & arch surround
- Brick panels
- Heat Wave™ power duct kit
- Heat Release™ kit
- Wall thermostat or FireGenie® remote control
- Propane conversion kit
- AstroCap® venting system

Specifications (NG)*	P90
Input (BTU)	35,000
Turn down to (BTU)	18,200
EnerGuide Rating (Canada only)	67.75%
Efficiency (steady state)	75%

Faceplate Dimensions	
Width	37"
Height	29-1/4"

* For propane (LP) specs please see page 20.
For detailed specifications please see pages 18-23.



Clean face design options



P33CE



B36XTCE



B41XTCE



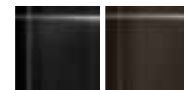
L965E

Metal Surrounds



Verona 33 surround
P33CE

Glass Surrounds



Verona Glass Surround
P33CE

Full screen doors



Full screen doors
P36/P36E/P36D/P33/P33E



Arched full screen doors
B36XTE/B41XTE/L965E



Tripoli™ door
P36/P36E/P36D



Excalibur surround
P90

Louvers



Louver front



Flush panels front

Accessories

Louvers



Black



Flush panels

Full Screen Doors



Black



Midnight Brown



Midnight Gray

Excalibur surround finishes



Black

Inner Panels



Herringbone - Rustic Brown



Standard - Rustic Brown



Standard - Old Town Red



Standard - Charcoal



Castlestone



Ledgestone



Black Enamel panels



Ember upgrade package



Accessories - at a glance		L965E	B41XTCE	B41XTE	B36XTCE	B36XTE	P90	P36/ P36D	P36E	P33CE	P33E	P33	P131	P121	
Clean front	Glass	✓	✓	-	✓	-	-	-	-	✓	-	-	-	-	
Classic look	Louvers	-	-	★	-	★	-	★	★	-	★	★	★	★	
	Flush panels	-	-	★	-	★	-	-	-	-	-	-	-	-	
	Finishing Trim	-	-	★	-	★	-	★	★	-	★	★	-	★	
Excalibur Arch Surrounds	Surround	-	-	-	-	-	★	-	-	-	-	-	-	-	
	Double screen doors	-	-	-	-	-	★	-	-	-	-	-	-	-	
Doors	Full Screen Doors	Black	-	-	-	-	-	★	★	-	★	★	-	-	
		Midnight gray	-	-	-	-	-	★	★	-	★	★	-	-	
		Midnight brown	-	-	-	-	-	-	★	★	-	★	★	-	-
	Arched full screen doors	Black	★	-	★	-	★	-	-	-	-	-	-	-	-
		Midnight gray	-	-	★	-	★	-	-	-	-	-	-	-	-
		Midnight brown	-	-	★	-	★	-	-	-	-	-	-	-	-
Tripoli 3-panel Arch Door	Black	-	-	-	-	-	★	★	-	-	-	-	-		
Inner panels	Bricks	Standard - Rustic Brown	-	★	★	★	★	★	★	★	★	★	★	-	-
		Standard - Old Town Red	★	★	★	★	★	★	★	★	★	★	★	✓	✓
		Standard - Charcoal	-	★	★	-	-	-	-	-	-	-	-	-	-
		Herringbone - Rustic Brown	-	-	-	-	-	★	★	★	★	★	★	-	-
		Castlestone	★	★	★	★	★	-	-	-	-	-	-	-	-
	Ledgestone	★	-	-	-	-	-	-	-	-	-	-	-	-	
Reflective	Black enamel	★	★	★	★	★	-	-	-	-	-	-	-	-	
Removable mesh glass guard		★	★	★	★	★	-	-	-	★	-	-	-	-	
Ember upgrade package		-	★	★	★	★	★	★	★	★	★	★	★	★	
Blower (with fan speed controller)		-	★	★	★	★	✓	★	★	★	★	★	-	-	
Blower (1-speed wall switch)		-	-	-	-	-	-	-	-	-	-	-	✓	✓	
Controls	Programmable Thermostat	-	★	★	★	★	★	★	★	★	★	★	★	★	
	FireGenie™ Remote Control	-	-	-	-	-	★	★	-	-	-	★	★	★	
	Proflame GT Remote Control	-	★	★	★	★	-	-	★	★	★	-	-	-	
	Proflame GTM Remote Control	-	★	★	★	★	-	-	★	★	★	-	-	-	
	Proflame GTMF Remote Control	-	★	★	★	★	-	-	★	★	★	-	-	-	
	Proflame GTMFS Remote Control	✓	-	-	-	-	-	-	-	-	-	-	-	-	
	Wall Switch	-	✓	✓	✓	✓	★	★	★	★	★	★	✓	✓	
Louwer Mounted on/off Switch	-	-	-	-	-	✓	✓	✓	-	✓	✓	-	-		
Electronic ignition with Surefire™ switch		✓	✓	✓	✓	✓	-	-	-	✓	✓	-	-	-	
Venting	Direct vent	✓	✓	✓	✓	✓	✓	✓	✓	✓	✓	✓	✓	✓	
	AstroCap® Venting System	★	★	★	★	★	★	★	★	★	★	★	★	★	
	Heat Wave™ Power Duct System / Heat Distribution Kit	★	-	-	-	-	★	★	★	★	★	★	-	-	
	Heat Release™ Kit	-	-	-	-	-	★	★	★	-	-	-	-	-	
Power vent kit	★	-	-	-	-	-	-	-	-	-	-	-	-		
Propane conversion kit		★	-	-	★	★	★	★	★	★	★	★	★	★	

- Not available
- ✓ Standard
- ★ Optional



Regency Remote and Thermostat Comfort Control



FireGenie Remote Control



Proflame Remote Control



Thermostat

Create optimal comfort with ease and convenience at the touch of a button with a Regency Comfort Control System. Our user friendly programmable controls can be set, adjusted and programmed for your fireplace to come on at the temperature you want when you want it. Regency control systems are available with a variety of features to suit your household home heating needs.

Feature	Description	FireGenie Remote	Proflame Remotes				Programmable Thermostat
			GT	GTM	GTMF	GTMFS	
On/Off		✓	✓	✓	✓	✓	✓
Child lock		-	✓	✓	✓	✓	-
LCD Backlit Screen		✓	✓	✓	✓	✓	✓
Clock		✓	-	-	-	-	✓
Temperature display	°F / °C	✓	✓	✓	✓	✓	✓
Thermostat	one setting (all days)	✓	✓	✓	✓	✓	✓
	5-day day weekday & 2-day weekend	✓	-	-	-	-	✓
Smart thermostat*		-	-	✓	✓	✓	-
Flame adjustment	(6 levels)	-	-	✓	✓	✓	-
Split flow burner control	(back burner on/off)	-	-	-	-	✓	-
Fan control**	(6 levels)	-	-	-	✓	-	-
Accent light (On/Off)***		-	-	-	✓	✓	-

* Smart Thermostat - Rather than a thermostat that simply turns your fireplace on and off, the Smart Control function allows you to set your desired room temperature and as the room reaches your personal setting the flame intensity and heat will gradually decrease – keeping the ambience of your Regency fire on with less heat output with the option to turn off at any time.

** For models that have a blower.

*** For models that have an optional accent light.



Maximizing Comfort and Efficiency

Regency Fireplaces delivers controllable heat solutions combining the latest in radiant/convection heat technology and innovative features.

- ☑ Adjustable flame/heat control
- ☑ Heat radiating ceramic glass for maximum radiant heat performance
- ☑ **SureFire Electronic Ignition** switch with battery backup features a fuel saving intermittent pilot ignition conserving energy when not in use.
- ☑ **Power's Out, Heat's On.** Never worry about being cold in a power outage again! All Regency gas fireplaces operate without electricity. Enjoy peace of mind all winter long.

Direct Vent Technology

You can enjoy the convenience of a gas fireplace anywhere in your home with a Regency Direct Vent Fireplace. Regency Direct Vent Fireplaces maintain indoor air quality by drawing fresh combustion air in from outside through our specialized venting system into a sealed firebox and sending the used air back outdoors.

Design Versatility

Direct Vent technology allows you to add a fireplace to rooms even if there is no existing chimney. Simply vent your fireplace through an outside wall and finish it with the Regency Patented **AstroCap™ Flex Venting System**.

Spread the warmth

Zone Heating with Regency

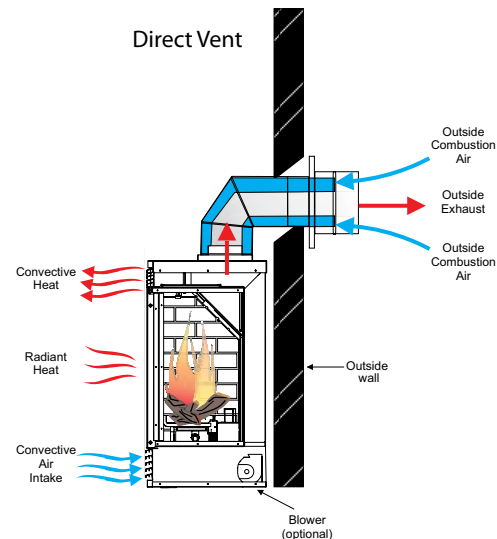
Turn down your furnace and enjoy high efficiency warmth in the rooms you spend the most time in. By adding a fireplace to your most frequently used living space you're not wasting energy by heating rooms you don't use.

Heat Adjacent Rooms with the Heat Wave™ Power Duct System

You can increase the effectiveness of your fireplace, while cutting down on your heating costs, using a Heat Wave kit. The Heat Wave system attaches onto most Regency gas fireplaces allowing you to direct heat into rooms up to 20 feet away. This kit comes complete with vent, variable speed blower (for HeatWave system only) and vent register.

Variable Speed Blower to Maximize Efficiency

Adding a Regency blower will let you enjoy the warmth of your fireplace from any corner of your living space. Our quiet blowers increase the efficiency of your fireplace by pushing the heat produced by your fireplace forward and distributing it further and evenly into the room.



AstroCap (painted to match home)

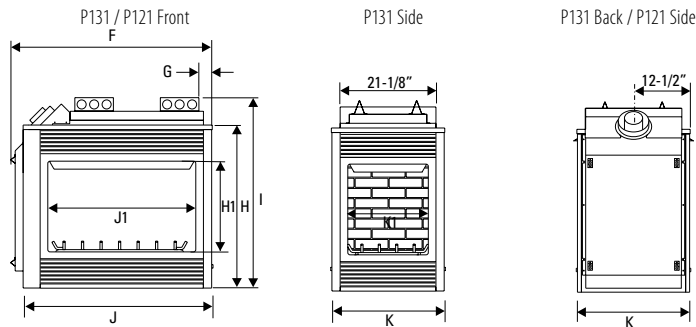


HeatWave Power Duct System

specifications

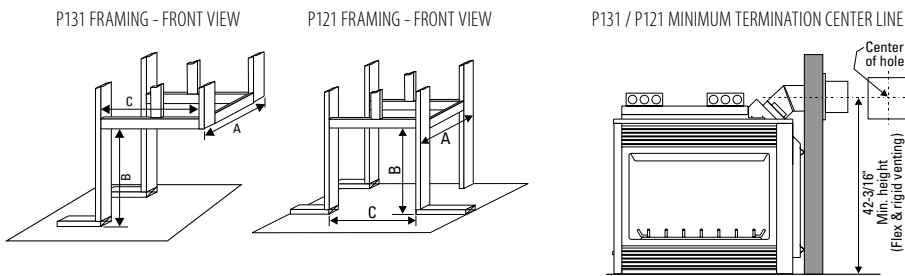
Specifications		Input (BTU)		Turn Down to (BTU)		EnerGuide Rating (Canada only)		Efficiency (steady state)	
		NG	LP	NG	LP	NG	LP	NG	LP
Liberty	L965E	48,000	48,000	16,000	17,000	63.11%	63.46%	79%	79%
Bellavista	B41XTCE	42,500	37,500	30,000	29,500	68.59%	68.97%	73%	73%
	B41XTE	42,500	37,500	30,000	29,500	68.59%	68.97%	73%	73%
	B36XTE	31,000	31,000	21,500	25,000	66.50%	66.59%	71%	71%
	B36XTCE	31,000	31,000	21,500	25,000	66.50%	66.59%	71%	71%
Panorama	P131	40,000	39,000	20,500	20,600	60.66%	62.51%	75%	76%
	P121	40,000	39,000	20,500	20,600	60.66%	62.51%	75%	76%
	P36D	30,000	30,000	15,500	15,000	64.62%	64.62%	82%	82%
	P36	30,000	30,000	15,500	15,000	62.70%	62.70%	82%	82%
	P36E	29,500	28,500	19,500	22,000	67.45%	68.40%	82%	82%
	P33	20,000	18,000	14,000	14,500	65.50%	68.24%	76%	77%
	P33E	20,000	19,500	14,000	15,500	67.41%	70.61%	76%	77%
	P33CE	20,000	19,500	14,000	15,500	67.41%	70.61%	76%	77%
Excalibur	P90	35,000	35,000	18,200	17,950	67.75%	67.75%	75%	75%

Panorama P131/121



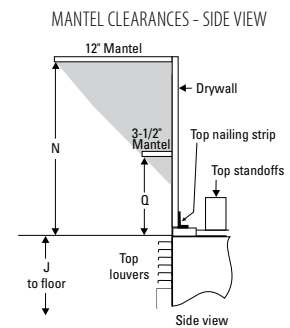
Dimensions	F	G	H	H1	I	J	J1	K	K1
P131	44-1/2"	3"	36"	20"	42"	41-1/2"	32-5/8"	25"	17-3/4"
P121	46-1/4"	4-3/4"	36"	20"	42"	43-1/2"	32-5/8"	25"	--

Note: For P121 there is a 2-3/4" vent heat shield on the vent end of the fireplace. Please allow appropriate space for center positioning.



Framing	A	B	C
P131	25" minus two times the finishing material thickness*	42-1/2"	45" minus one time the finishing material thickness*
P121 (see-thru)	25" minus two times the finishing material thickness*	42-1/2"	46-3/4"

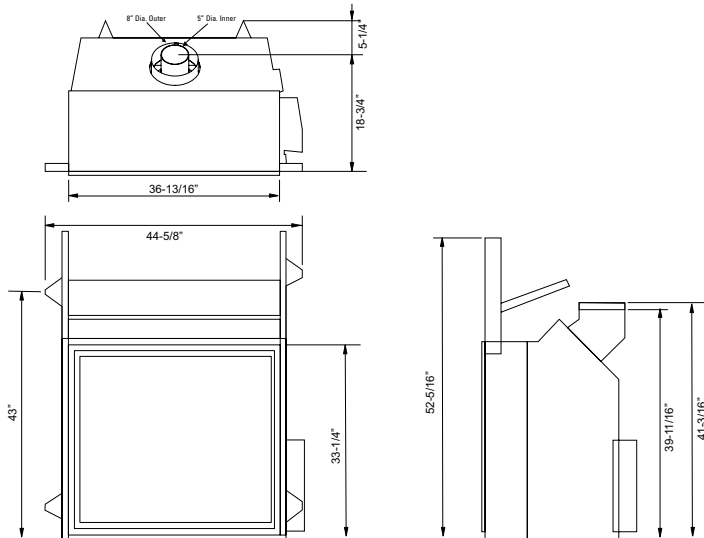
* Finish material thickness includes: drywall, ceramic tile, slate, etc.



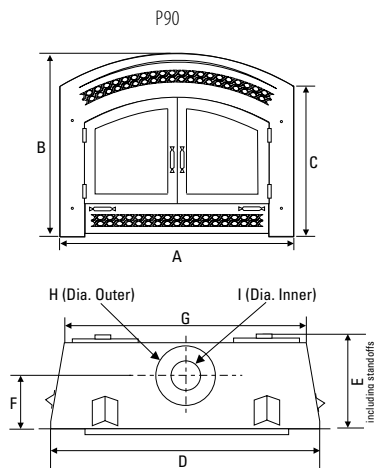
Mantel Clearances	J	N	Q
P121	36"	7"	3"
P131	36"	7"	3"



Liberty L965E

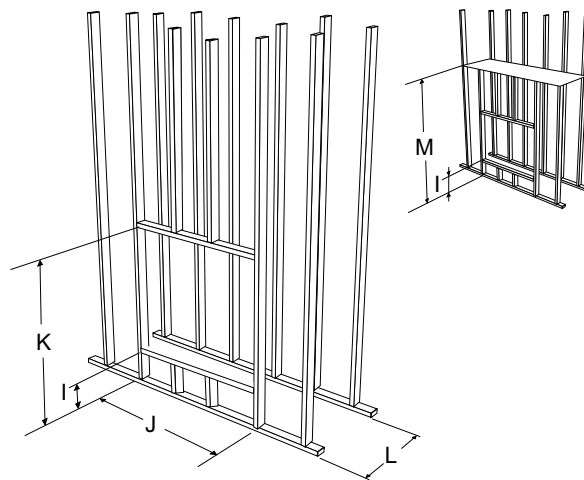
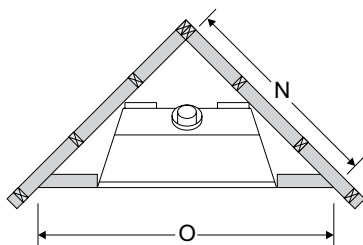


Excalibur direct vent fireplace P90



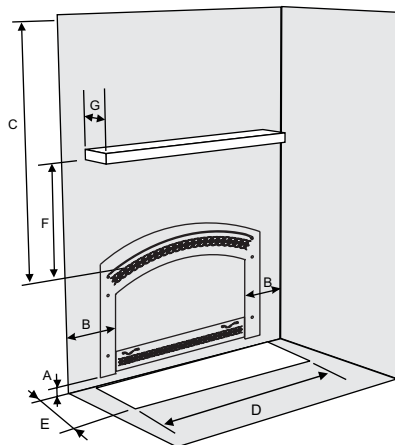
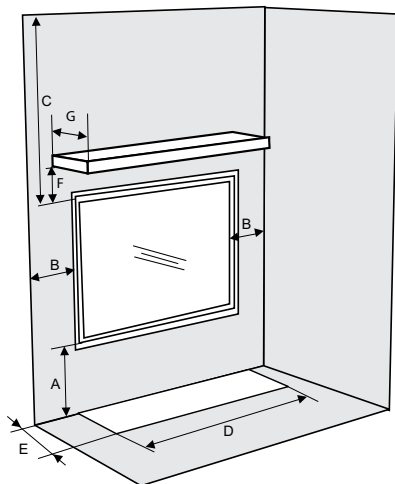
Dimensions	P90
A	37"
B	29-1/4"
C	24"
D	42"
E	19-1/4"
F	10-7/8"
G	31"
H	6-5/8"
I	4"
Unit height	38"

Framing	L965E	P90
I	0"	0"
J	44-3/4"	46-1/2"
K	52-5/16"	46-3/8"
L	vertical rise	24"
	horizontal rigid	24"
	horizontal flex	24"
M	rigid	80"
	flex	80"
N	64"	49-7/8"
O	90-15/16"	70-1/2"



Clearances	L965E	P90
A (min.)	2"	3/4"
B	6-1/16"	6-1/2"
C	N/A	44-1/4"
D	46"	36"
E	12"	6"
F (min.)	18-1/2"	18-1/4"
G (max.)	10"	12"

Notes:
* For complete instructions please see manual.



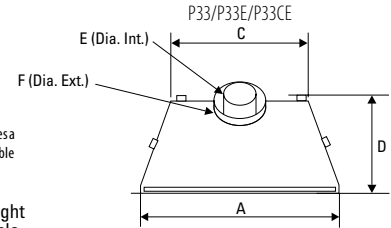
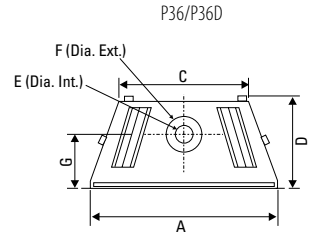
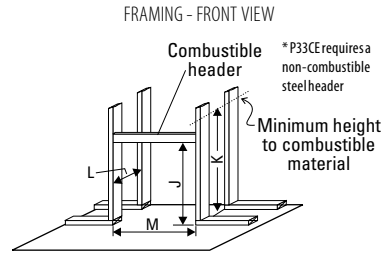
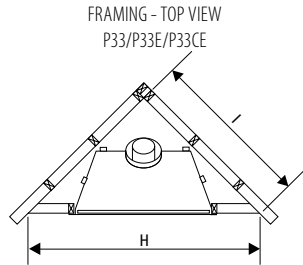
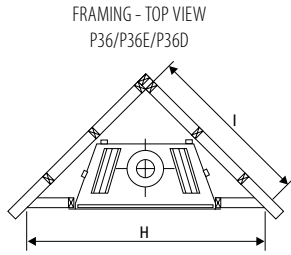
P90 & L965E
Non-combustible
material is required
with these units.
Please see manual.

Panorama direct vent fireplaces

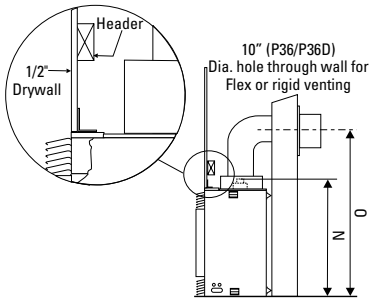
dimensions

	A	B	A1	B1	C	D	E	F	G
P36D	36"	30-1/2"	29-3/16"	15-1/2"	33-1/4"	17-1/8"	4"	6-7/8"	11-1/4"
P36/P36E	36"	30-1/2"	29-3/16"	15-1/2"	33-1/4"	12-3/4"	4"	6-7/8"	7-1/4"
P33/P33E	33"	29"	26"	16"	23"	12-3/4"	4"	6-7/8"	--
P33CE	34-9/16"	29-1/4"	26"	16"	23"	16"	4"	6-7/8"	--

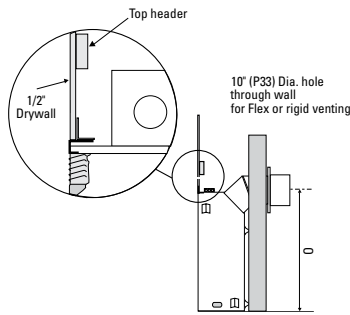
framing



MINIMUM TERMINATION CENTER LINE
P36/P36E/P36D



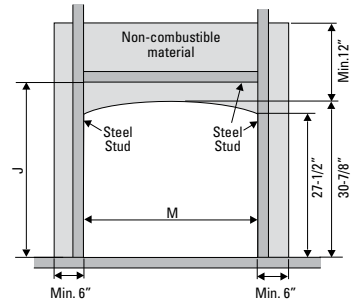
MINIMUM TERMINATION CENTER LINE
P33/P33E



FRONT FRAMING DIMENSIONS

P36/P36E/P36D Tripoli

Non-combustible material is required with this installation. Please see manual for details.

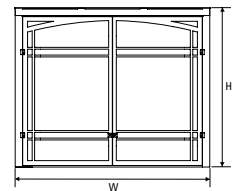


Framing (horizontal termination)	Minimum termination center line							
	H	I	J	K	L	M	N	O
P36/P36E	60"	42-7/16"	36-1/4"	46"	12-3/4"	36-1/4"	32-1/2"	40-1/2"
P36 Deep	68"	48"	37-1/4"	46-1/2"	17-3/8"	36-1/4"	32-1/2"	40-1/2"
P36 Tripoli	60"	42-7/16"	36-1/4"	46"	12-3/4"	36-1/4"	32-1/2"	40-1/2"
P36 Tripoli Deep	68"	48"	37-1/4"	46-1/2"	17-3/8"	36-1/4"	32-1/2"	40-1/2"
P33/P33E (Flex venting)	53-1/4"	37-1/2"	31-3/4"	32"	12-3/4"	33-1/4"	--	26"
P33/P33E (Rigid venting)	53-1/4"	37-1/2"	31-3/4"	36"	16-1/2"	33-1/4"	--	30"
P33CE (Flex venting)	55-1/2"	38-15/16"	31-3/4"	32"	16"	35"	--	26"
P33CE (Rigid venting)	55-1/2"	38-15/16"	31-3/4"	36"	19-3/4"	35"	--	30"

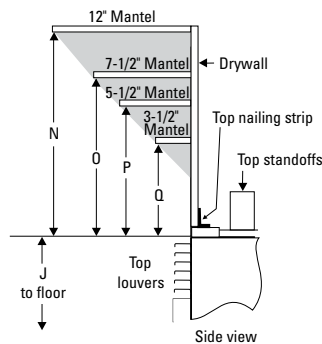
Full Screen Door Dimensions (including trim)

	W	H	Depth
P36/P36E/P36D	40-3/16"	32-5/8"	1-5/8"
P33/P33E	37"	31"	1-5/8"

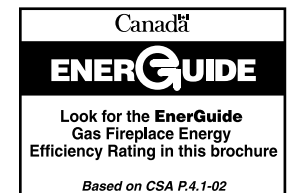
Full screen doors



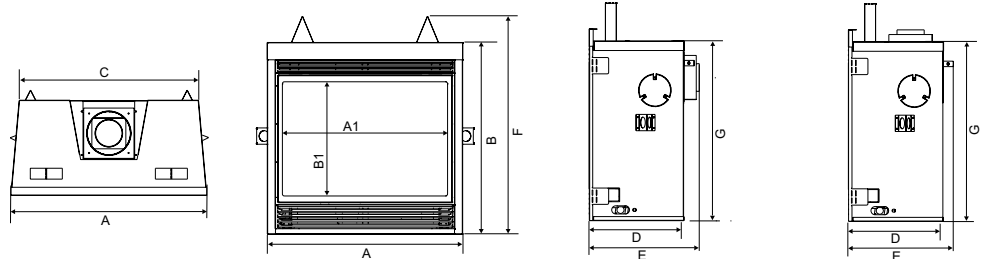
MANTEL CLEARANCES - SIDE VIEW



Mantel Clearances	J	N	O	P	Q
P36/P36E	30-1/2"	14"	10"	--	7"
P36D	30-1/2"	14"	10"	--	7"
P33/P33E	29"	11"	9"	--	7"
P33CE	24-1/4"	15-3/4"	13-3/4"	12-3/4"	11-3/4"

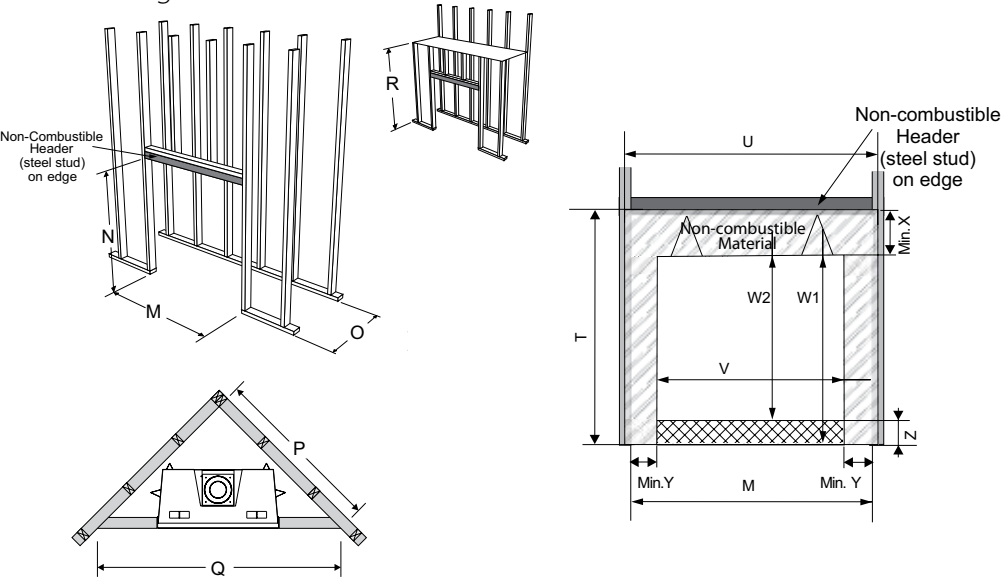


Bellavista direct vent fireplaces



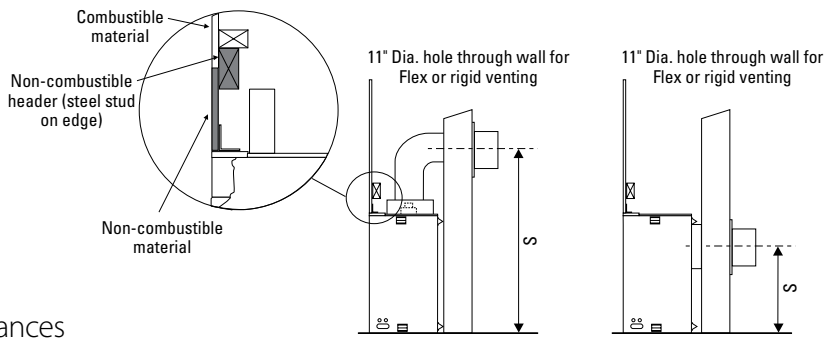
Dimensions	B41XTE	B41XTCE	B36XTE	B36XTCE
A	41-11/16"	46-11/16"	36"	40-5/8"
B	36-11/16"	44-1/4"	35-1/4"	38-1/16"
A1	35"	35"	30-3/8"	30-3/8"
B1	24"	24"	21"	21"
C	38-3/16"	38-3/8"	33"	33"
D	19-7/16"	22-11/16"	17-5/16"	20-7/8"
E	(rear vent) 23-1/4"	26-1/4"	20-1/4"	23-1/2"
	(top vent) 22-5/16"	26-3/16"	20-5/16"	23-5/8"
F	49-3/16"	49-1/4"	41-5/16"	41-5/16"
G	36-3/8"	36-3/8"	33-1/16"	33-1/8"

Framing

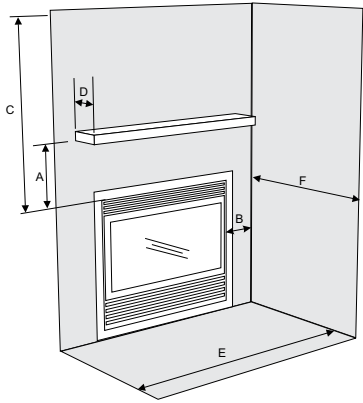


Framing	B41XTE	B41XTCE	B36XTE	B36XTCE
M	47-1/4"	47-1/4"	40-5/8"	41-1/4"
N	49-1/2"	49-1/2"	41-1/2"	39-3/4"
O	(rear vent) 23-1/4"	26-1/2"	20-3/4"	23-7/8"
	(top vent) 22-5/8"	25-7/8"	20-1/2"	23-7/8"
P	(rear vent) 60-1/4"	65-1/4"	53"	57-7/8"
	(top vent) 60-1/4"	65-1/4"	48-5/8"	53-1/4"
Q	(rear vent) 85-3/16"	91-11/16"	75"	81-1/2"
	(top vent) 85-3/16"	91-11/16"	68-3/4"	75-1/4"
R	(rear vent) 49-1/2"	49-1/2"	41-1/2"	41-1/2"
	(top vent) 54-1/2"	54-1/2"	50-1/2"	50-1/2"
S	(rear vent) 28-1/2"	28-1/2"	26-1/2"	26-1/2"
	(top vent) 47-1/2"	47-1/2"	42-1/8"	42-1/8"
T	50-1/4"	50-1/4"	42-1/4"	41-5/8"
U	48-3/4"	46-11/16"	42"	40-5/8"
V	41-3/4"	38-7/16"	36"	32-7/8"
W1	36-3/4"	--	35-1/4"	--
W2	--	29"	--	25-5/8"
X	13-1/2"	23-5/8"	7"	11-7/8"
Y	3-1/2"	4-1/8"	3"	3-7/8"
Z	--	3-9/16"	--	4-1/8"

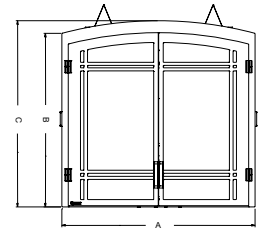
B41 XTE/B41 XTCE & B36XTE/B36XTCE



Clearances



Clearances	B41XTE	B41XTCE	B36XTE	B36XTCE
A (min.)	15"	17-9/16"	13"	15-1/2"
B	9"	9"	12"	12"
C	33-3/4"	36-5/8"	36-3/4"	39"
D (max.)	12"	12"	12"	12"
E	60"	60"	84"	84"
F	36"	36"	36"	36"



Arch doors dimensions		
	B41XTE	B36XTE
A	43"	39-1/2"
B	38-7/8"	35-1/2"
C	41-5/8"	38-1/16"

All products tested to the following standards: GRAVITY DIRECT VENT WALL FURNACE TESTED AND APPROVED FOR U.S.A AND CANADA TO: CAN/CGA-2.17-M91, (ANSI Z21.88b-1999/CSA 2.33b-M99).
 NOTE: All product specifications are subject to change without notice. Before installing refer to the relevant product manual for full and up to date information.

Fireplace planning made simple

Your Regency® matches your home and lifestyle perfectly. How do we know that? Because you designed it yourself!

1



CLICK!

Take a photo of your desired room location.

2



DESIGN

Go to www.regency-fire.com and design your perfect fireplace with the Fireplace Design Center.

3



VISUALIZE

Upload your room photo and see how the fireplace will look in your own house. Print your own brochure.

4



VISIT A REGENCY STORE

Show your plan to one of our sales associates for expert advice. Your authorized Regency dealer will advise you on all the technical aspects and install your Regency.

5



NO CHIMNEY? NO PROBLEM!

Direct vent technology means you no longer need an expensive, elaborate chimney. Simply vent your fireplace through an outside wall and finish it with an AstroCap™.

6



ENJOY!

