

L-Series Single Sided



 **MONTIGO**[®]
the art of fireplaces

L-Series Single Sided

Direct Vent · Flush Face



L42DF with Firestones shown

L42DF with Fireglass shown on reverse



Unit Dimensions																
Model#	A	B	C	D	E	F	G	H	I	J	K	L	M	N	O	P
L38DF	37 ³ / ₄ "	29 ¹ / ₄ "	35 ¹ / ₄ "	19 ³ / ₈ "	4 ⁷ / ₈ "	5 ¹ / ₄ "	29"	18 ¹ / ₄ "	5"	8"	21 ⁷ / ₈ "	35 ⁵ / ₈ "	11 ³ / ₈ "	31 ¹ / ₂ "	21 ¹ / ₈ "	39 ¹ / ₄ "
L42DF	42"	30 ¹ / ₂ "	39 ¹ / ₂ "	20 ¹ / ₄ "	4 ³ / ₈ "	5 ³ / ₈ "	33 ³ / ₈ "	19 ³ / ₈ "	5"	8"	26 ⁵ / ₈ "	39 ³ / ₄ "	12 ¹ / ₈ "	36 ³ / ₈ "	22 ¹ / ₈ "	43 ³ / ₈ "
L52DF	52"	33 ¹ / ₄ "	47"	21 ³ / ₄ "	6"	5 ³ / ₈ "	33 ¹ / ₂ "	21 ⁵ / ₈ "	5"	8"	28"	47 ³ / ₈ "	14 ³ / ₈ "	37 ³ / ₄ "	24 ¹ / ₄ "	53 ⁵ / ₈ "

Features:

- Clean-Face design allows for brick or tile installation over the fireplace frame
- Convertible using 5⁵/₈" Top or Rear vent
- Linear Contemporary burner with White, Silver, Opaque Fire Stones[†]
- Snap-Lock door system
- Hi/Lo control for adjusting flame level
- Millivolt control with Piezo spark ignition or IPI Electronic Ignition with continuous pilot mode option
- 100% fail-safe shut-off valve
- Screen Barrier

Options:

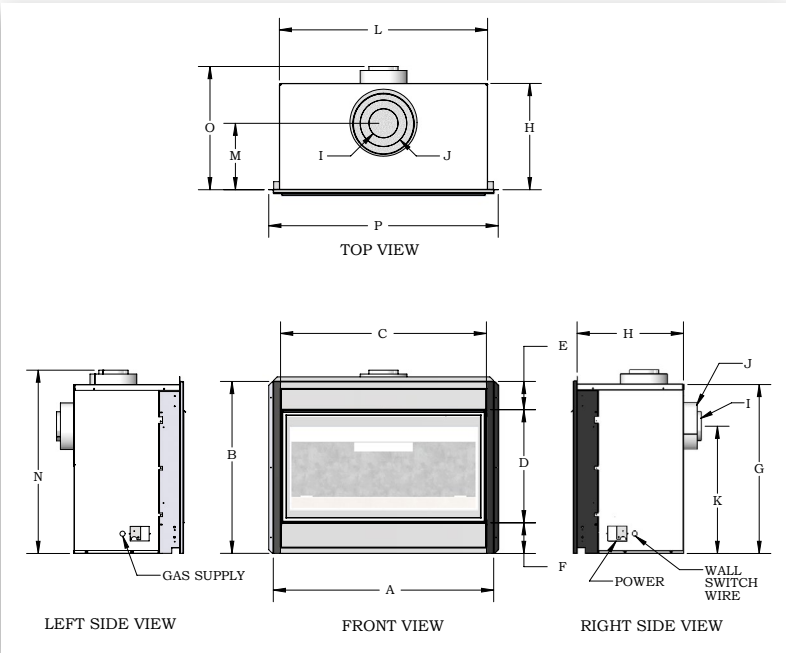
- Various Firestone and Fireglass media options[†]
- Choose from 2 surrounds*
- Remote Control with flame modulation and digital thermostat
- Various Remote Control options
- Circulating Fans with remote speed control
- Battery backup for uninterrupted operation during power failure.

[†] Go to www.montigo.com for color images

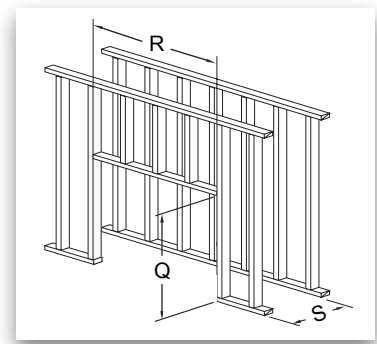
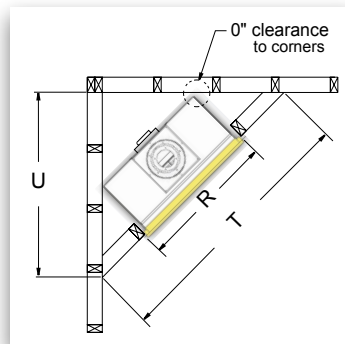
* Please see Fireplace Surround manual for surround dimensions. Framing dimensions may change depending on surround used.

Fireplace BTU/H Input		
Model#	Natural Gas	Liquid Propane
L38DF	25,000	25,000
L42DF	32,000	32,000
L52DF	40,000	40,000

Consult the owner's manual for complete installation instructions and proper clearances to combustible surfaces prior to installing fireplace.
All specifications, framing dimensions, product designs, materials and colors are subject to change without notice. The actual flame pattern and color may vary slightly from the illustrations. Diagrams and illustrations are not to scale.
Options & accessories may have associated surcharge.



Framing Dimensions*					
Model#	Q	R	S	T	U
L38DF	35 ¹ / ₄ "	37 ³ / ₄ "	20 ¹ / ₈ "	75"	54 ¹ / ₄ "
L42DF	37"	42"	22 ⁵ / ₈ "	84 ⁷ / ₈ "	60 ⁵ / ₈ "
L52DF	39 ¹ / ₂ "	52"	25 ³ / ₈ "	96 ¹ / ₂ "	68 ¹ / ₄ "



Available at:

WERTZ & COMPANY
SINCE 1926
ROOFING, INDOOR & OUTDOOR SPECIALISTS

