

I-Series



34 FID L shown with Porcelain Panels and Driftwood

 **MONTIGO**[®]
the art of fireplaces

Renovate. Revamp. Rejuvenate

Adding supplementary heat to your home doesn't mean you have to sacrifice your tastes or a beautiful fire. We have brought our bright bold flames Montigo is known for and created a new generation of gas inserts.

Design Versatility

Designed for spaces that are traditional, contemporary or somewhere in between. Choose your style, size and accessories to create your perfect fireplace insert.

Burner Technology

The traditional burner has been cast in ceramic to produce a realistic fire bed with glowing embers. With porcelain trim, the concealed ribbon burner provides an elegantly modern flame.

High Efficiency

Models	P4.1		AFUE	
	NG	LP	NG	LP
30FID-S	79%	80%	71%	73%
30FID-L	78%	79%	71%	73%
34FID-S	81%	82%	71%	71%
34FID-L	77%	79%	70%	71%

Serviceability

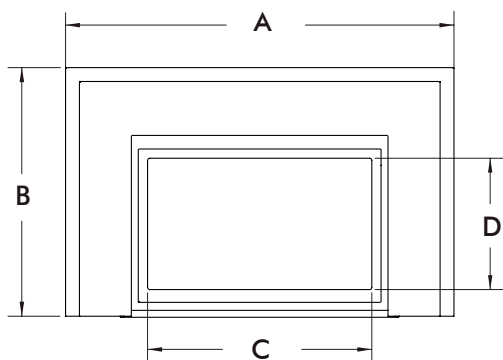
Created with serviceability in mind. All routine service items can be preformed with easy access to the control system and without the use of specialty tools.

Our Guarantee

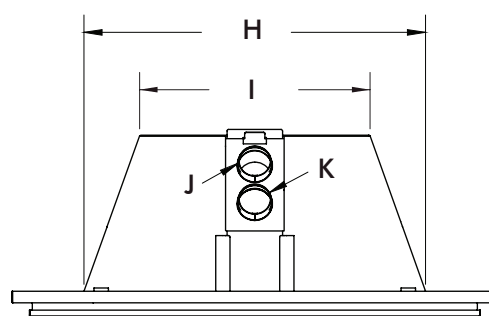
Rest assured our uncompromising quality and long-term reliability is backed by our 10-year limited warranty.

Unit Specs

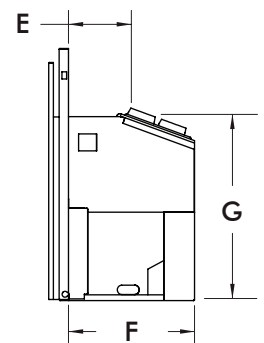
	BTUs		Unit Dimensions										
	NG	LP	A	B	C	D	E	F	G	H	I	J	K
30FID	24,000	23,000	42"	26 ⁷ / ₈ "	24 ¹ / ₄ "	14 ¹ / ₄ "	6 ³ / ₄ "	13 ¹ / ₂ "	20"	29 ¹ / ₂ "	19 ⁷ / ₈ "	3"	3"
34FID	31,000	30,000	46 ¹ / ₂ "	31"	28"	17 ¹ / ₂ "	6 ³ / ₄ "	15"	23 ³ / ₄ "	33 ¹ / ₂ "	23 ⁷ / ₈ "	3"	4"



Front View



Top View



Side View

Styling Options

Linear Model

- Concealed ribbon burner
- Porcelain panels and media tray
- In burner accent lighting
- Variety of interchangeable media options



Speckled Stones +
Drift Wood Log Set



Firestones



Fireglass



Speckled Stones

Traditional Model

- Choice of glossy porcelain panels or brick lining available in red or brown
- High definition cast fibre log set ceramic burner
- Accent lighting



30FID-S with
Rustic Brown Brick Lining



30FID-S with
Red Brick Lining

I-Series



30FID-L with Porcelain Panels

Features

- Highly efficient firebox design
- Choice of satin black surrounds
- Direct Vent utilizing co-linear venting
- Tool free access to the control system
- Accent lighting
- Hidden pilot design
- Integrated barrier safety screen
- Multiple styling options
- Remote control operation
- Optional high output variable fans

Consult the owner's manual for complete installation instructions, product dimensions and proper clearances to combustible surfaces prior to installing fireplace. All specifications, framing dimensions, product designs, materials and colors are subject to change without notice. The actual flame pattern and color may vary slightly from the illustrations. Diagrams and illustrations are not to scale. Options & accessories may have associated surcharge.

Available at:

For more inspiration go to:
www.montigo.com



P/N XB2508

141204.2