



heatilator
The first name in fireplaces

SC60

wood-burning fireplace

SC60 wood-burning fireplace

Incredible Heating Capacity

- Large viewing area with 36" wide and 19-1/8" tall opening
- Firebox assembly is fully insulated and comes standard with firebrick lining and outside air kit
- Standard 160 CFM fan with blower control connects directly to stainless steel heat tubes for added heat output
- Ability to control combustion rate and heat output via the air kit and flue damper assemblies
- A hearth extension is required
- SL300 series venting
- Tested and listed to UL safety standards



Cover/Above: SC60 shown with gasketed air control door.

SC60 Options



Bi-fold Glass Door

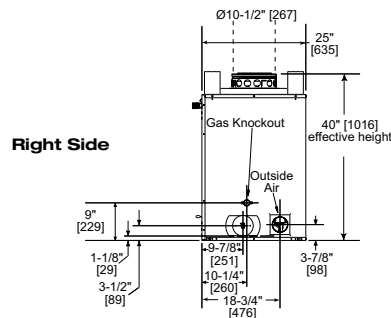
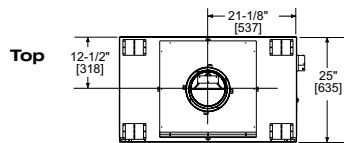
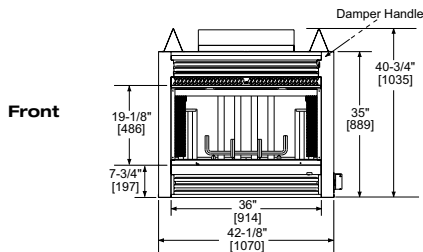
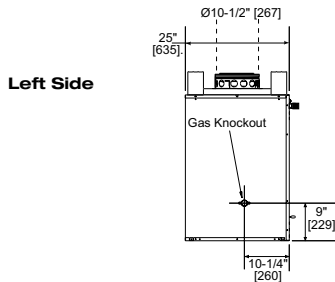


Gasketed Air Control Door

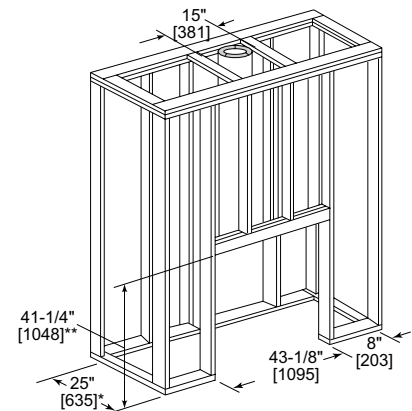


Fireside Supreme Oak Gas Logs

SC60 Dimensions



Framing Dimensions



* If interior of chase will be drywalled, add thickness to this measurement.
 ** Adjust header height for raised floor under fireplace

Available From

heatilator
 The first name in fireplaces



Limited Lifetime Warranty*

The strongest in the industry, Heatilator provides a limited lifetime warranty on the most important aspects: firebox and heat exchanger.

The information provided in this literature is for planning purposes only and subject to change. Please consult the installation manual for actual installation. Actual product appearance may differ from product images.
 *For full warranty details go to heatilator.com.

Fireplace surfaces get extremely HOT and can cause severe burns if touched. Keep a safe distance away. To learn more visit www.heatilator.com/fireplacesafety



HTL-1024U-0316