

heatilator[®]
The first name in fireplaces



See-Through
wood-burning fireplaces

See-Through wood-burning fireplaces

Endless Possibilities

Enjoy a roaring fire—from more places. See-through models provide more possibilities to add a Heatilator® fireplace to more spaces. Make each your own with multiple finishing options.

Compact footprints and flexible venting options highlight the versatility of these models. Experience the power of fire in more ways.

Features

- 36 and 42-inch viewing areas
- Authentic masonry appearances
- Clean face design
- Multiple finishing options
- Outside air kit standard
- A hearth extension is required
- Tested and listed to UL standards

Options

- Bi-fold glass doors
- Gas logs
- Remote controls (for gas logs)
- Chimney air kit



Above and Cover:
Shown with plymouth mantel and beige marble

Door Options



Bi-Fold Glass Doors

Gas Logs



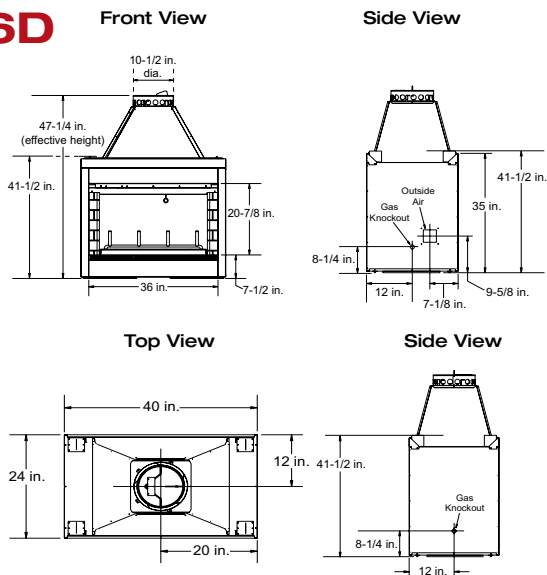
Fireside Gas Logs

Models Available

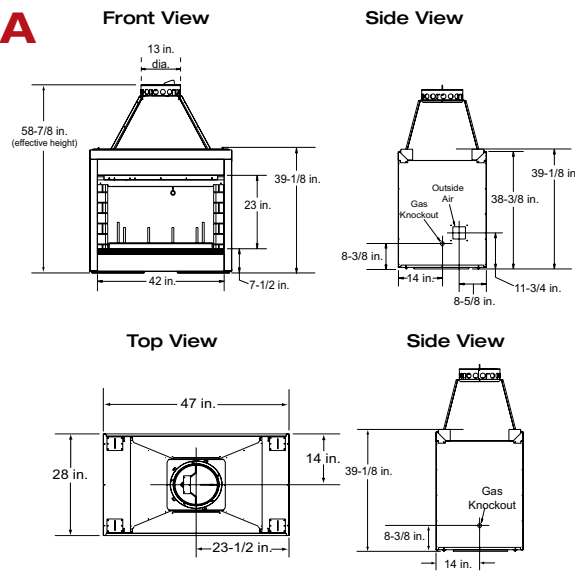
MODEL	HEAT	VIEWING WIDTH	VENTING	OUTSIDE AIR
ST36D	Radiant	36"	SL300 or SL1100 Series	Standard
ST42A	Radiant	42"	SL300 or SL1100 Series	Standard

Technical Specifications

ST36D



ST42A



Available From

heatilator®
The first name in fireplaces



Limited Lifetime Warranty¹

The strongest in the industry, Heatilator provides a limited lifetime warranty on wood-burning products of the most important aspects: firebox and heat exchanger.

¹: For full warranty details go to heatilator.com.

The information provided in this literature is for planning purposes only and subject to change. Please consult the installation manual for actual installation. Actual product appearance may differ from product images.

Fireplace glass and other surfaces get extremely HOT and can cause severe burns if touched. Do not remove the protective safety screen from the front of the glass. Keep a safe distance away. To learn more visit www.heatilator.com/fireplacesafety



HTL-1099U-0415