



heatilator®  
*The first name in fireplaces*

## Icon Series

wood-burning fireplaces

# Icon Series

wood-burning fireplaces



**Cover/Left:** I100CT shown with st. cloud shelf, green granite and grand vista door.

## **Command Attention. Command Ambiance.**

The Icon is the industry's largest wood-burning fireplace. An expansive viewing area and attractive firebox catch your eyes from across the room, while impressive fires keep you warm and relaxed. Enjoy classic masonry looks and performance—without the cost of a custom-built fireplace.

Highlight your favorite space and let the Icon roar.

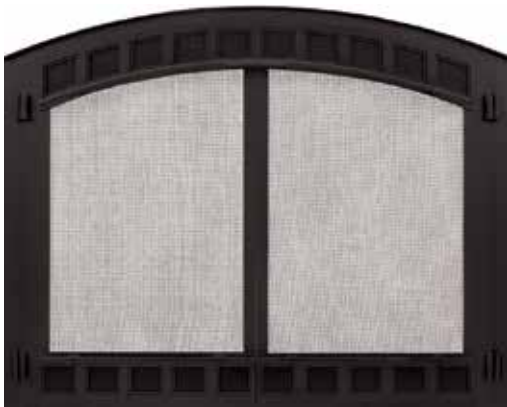
- Three sizes available; 50", 42" and 36"
- Clean-face design enables finishing materials to be applied up to firebox opening
- Can be installed flush with floor or on a raised hearth
- Impressive, masonry-style traditional or herringbone molded brick panels
- SL1100 Series venting
- Tested and listed to UL safety standards

# Options

## Doors



Grand Vista Screen Doors



Contour Screen Doors



DM Glass Doors

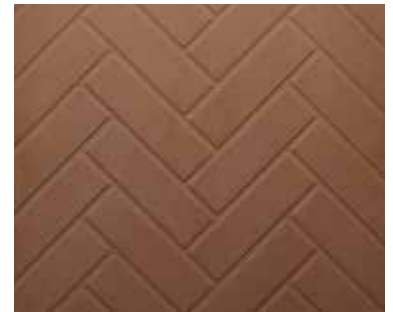


I60CT shown with bayfield shelf, DM glass doors and fireside gas logs.

## Refractory



Traditional Multiple-Colored



Herringbone

## Gas Logs



Fireside Grand Oak Log Set

Enjoy the ambiance of roaring wood fires without the hassle. Detailed log sets deliver ambiance and unrivaled convenience.

## Models Available

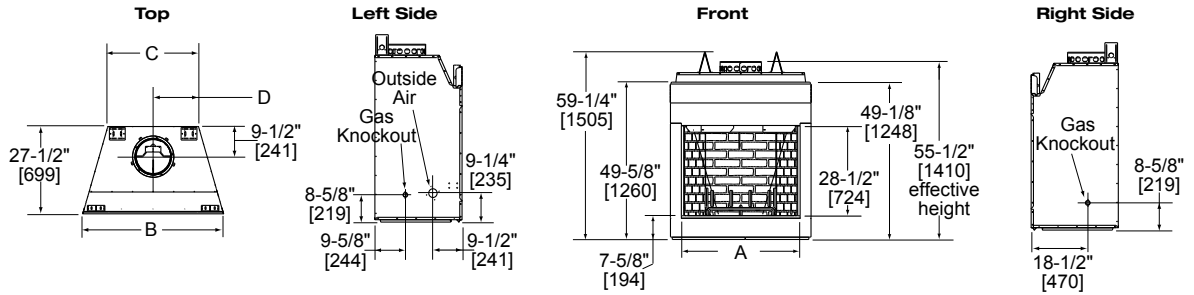
MODEL	HEAT	VIEWING WIDTH	VENTING	OUTSIDE AIR
I60	Radiant	36"	SL1100 Series	Standard
I80	Radiant	42"	SL1100 Series	Standard
I100	Radiant	50"	SL1100 Series	Standard

# Technical Specifications

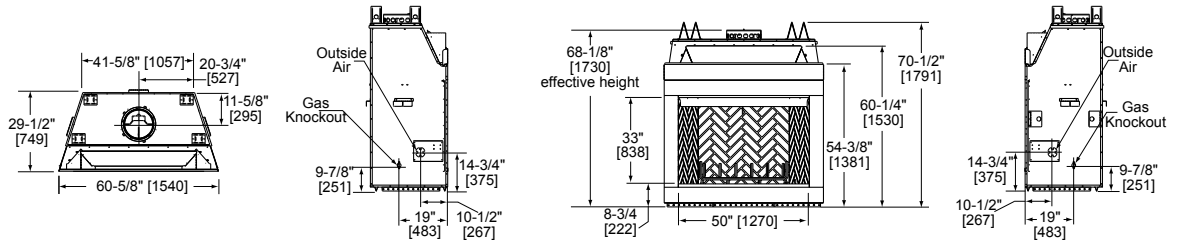
MODEL	FRONT WIDTH	BACK WIDTH	HEIGHT	DEPTH	FIREBOX OPENING
160	44-1/2" [1130]	28-5/8" [727]	49-5/8" [1260]	27-1/2" [699]	36" x 28-1/2" [914 x 724]
180	50-1/2" [1283]	34-1/2" [876]	49-5/8" [1260]	27-1/2" [699]	42" x 28-1/2" [1067 x 724]
1100	60-5/8" [1540]	41-5/8" [1057]	60-1/4" [1530]	29-1/2" [749]	50" x 33" [1270 x 838]

## 160/180

	160	180
A	36" [914]	42" [1067]
B	44-1/2" [1130]	50-1/2" [1283]
C	28-5/8" [727]	34-1/2" [876]
D	14-3/8" [365]	17-3/16" [437]



## 1100

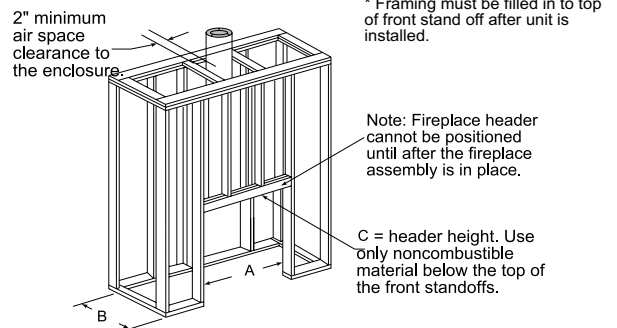
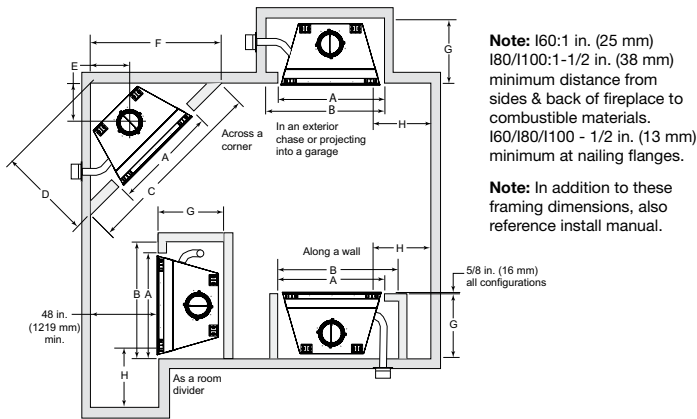


## Clearances

MODEL	A	B	C	D	E	F	G	H
160	45-1/2" [1156]	53-1/2" [1359]	85" [2159]	42-1/2" [1080]	19-3/8" [492]	60-1/8" [1527]	28" [711]	24" [610]
180	51-1/2" [1308]	59-1/2" [1511]	92-3/4" [2356]	46-3/8" [1178]	21-1/2" [546]	65-5/8" [1667]	28-1/2" [724]	24" [610]
1100	61-5/8" [1565]	77-5/8" [1972]	104-7/8" [2664]	52-1/2" [1334]	24-3/8" [619]	74-1/4" [1886]	30-1/2" [775]	24" [610]

## Framing

MODEL	A ROUGH OPENING (WIDTH)	B ROUGH OPENING (DEPTH)	C ROUGH OPENING (HEIGHT)*
160	45-1/2" [1156]	28" [711]	59-3/4" [1518]
180	51-1/2" [1308]	28-1/2" [724]	59-3/4" [1518]
1100	61-5/8" [1565]	30-1/2" [775]	71" [1803]



Available From

**heatilator**  
The first name in fireplaces

**Limited Lifetime Warranty\***

The strongest in the industry, Heatilator provides a limited lifetime warranty on the most important aspects: firebox and heat exchanger.

\*For full warranty details go to [heatilator.com](http://heatilator.com).

The information provided in this literature is for planning purposes only and subject to change. Please consult the installation manual for actual installation. Actual product appearance may differ from product images. Fireplace, stove and insert surfaces get extremely HOT and can cause severe burns if touched. Keep a safe distance away. To learn more visit: [www.heatilator.com/fireplacesafety](http://www.heatilator.com/fireplacesafety)



HTL-1021U-0315

